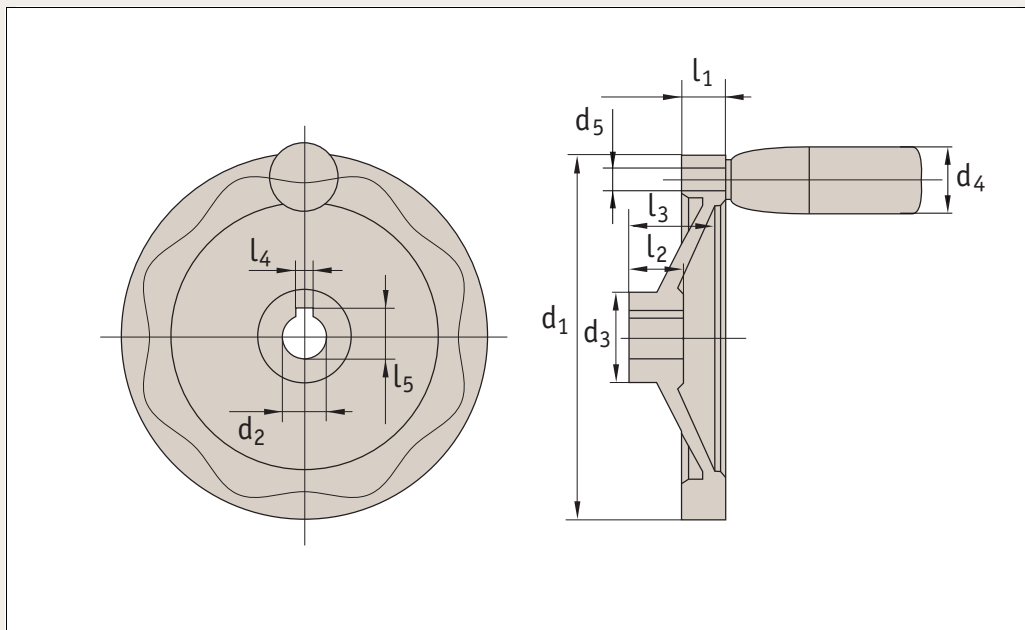


Lead Screw Accessories





L1458



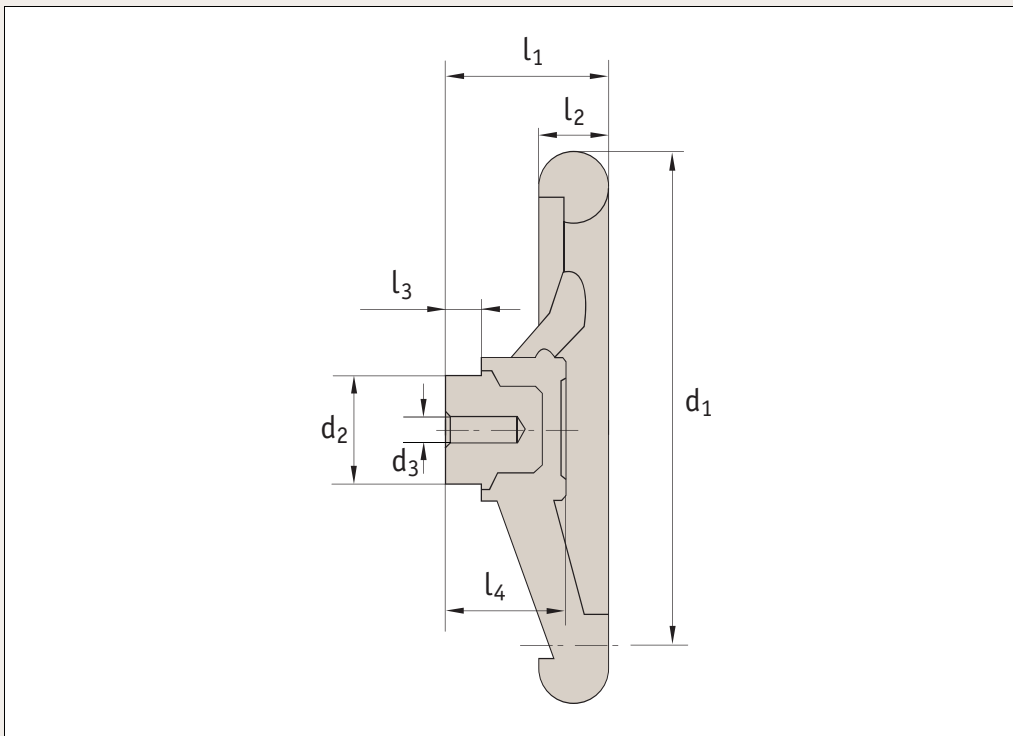
Material

Aluminium (gravity die-casting).
Machine and handle Duroplast FS 31
Black.
Hub machined, rim turned and
polished.

Technical Notes

Temperature maximum 110°C. Also
available in black plastic coated - on
request.

Order No.	Type	d ₁	d ₂	d ₃	l ₁	l ₂	l ₃	l ₄	l ₅	d ₄ x d ₅	× g
L1458.C080	w/o keyway, with handle	80	12	26	13,0	16	26	-	-	18 x M 6	160
L1458.C100	w/o keyway, with handle	100	12	28	14,0	17	30	-	-	21 x M 6	255
L1458.C125	w/o keyway, with handle	125	14	31	15,0	18	33	-	-	23 x M 8	390
L1458.C140	w/o keyway, with handle	140	16	36	16,5	19	36	-	-	23 x M 8	510
L1458.C160	w/o keyway, with handle	160	16	36	18,0	20	39	-	-	26 x M10	675
L1458.C200	w/o keyway, with handle	200	20	42	20,5	24	45	-	-	26 x M10	995
L1458.C250	w/o keyway, with handle	250	26	48	23,0	28	51	-	-	28 x M10	1625
L1458.D080	with keyway, with handle	80	12	26	13,0	16	26	4	13,8	18 x M 6	160
L1458.D100	with keyway, with handle	100	12	28	14,0	17	30	4	13,8	21 x M 6	255
L1458.D125	with keyway, with handle	125	14	31	15,0	18	33	5	16,3	23 x M 8	390
L1458.D140	with keyway, with handle	140	16	36	16,5	19	36	5	18,3	23 x M 8	510
L1458.D160	with keyway, with handle	160	16	36	18,0	20	39	5	18,3	26 x M10	675
L1458.D200	with keyway, with handle	200	20	42	20,5	24	45	6	22,8	26 x M10	995
L1458.D250	with keyway, with handle	250	26	48	23,0	28	51	8	29,3	28 x M10	1625



L1459

Material

Duroplast, black.
Zinc plated steel hub.

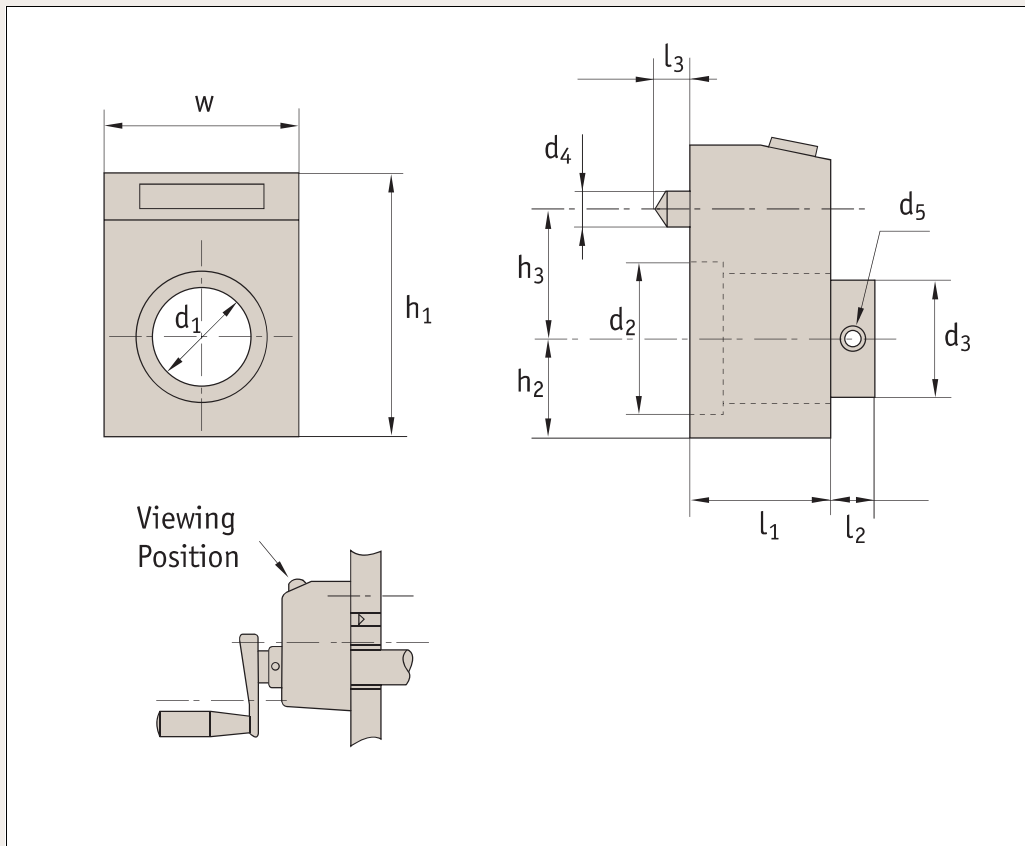
Technical Notes

The pilot hole allows various sizes of holes, keyways etc. to be machined into the boss.

Order No.	Type	d_1	d_2	d_3	l_1	l_2	l_3	l_4
L1459.A100	Standard	100	24	4	40	15	11	34
L1459.A125	Standard	125	24	6	46	17	13	37
L1459.A150	Standard	150	32	8	49	20	13	38
L1459.A175	Standard	175	40	8	56	22	16	42
L1459.A200	Standard	200	40	8	61	24	16	45
L1459.A250	Standard	250	48	10	72	28	17	50
L1459.A300	Standard	300	58	10	78	34	18	56
L1459.B100	Reinforced	100	24	4	40	15	11	34
L1459.B125	Reinforced	125	24	6	46	17	13	37
L1459.B150	Reinforced	150	32	8	49	20	13	38
L1459.B175	Reinforced	175	40	8	56	22	16	42
L1459.B200	Reinforced	200	40	8	61	24	16	45
L1459.B250	Reinforced	250	48	10	72	28	17	50
L1459.B300	Reinforced	300	58	10	78	34	18	56



L1470



Material
Black thermoplastic.
Burnished steel bushing.

Technical Notes
Max. temperature is +70°C.
Other ratios and spacer available on request. Different location of position indicator on counter available on request.
Four digit readout, red indicates decimals.

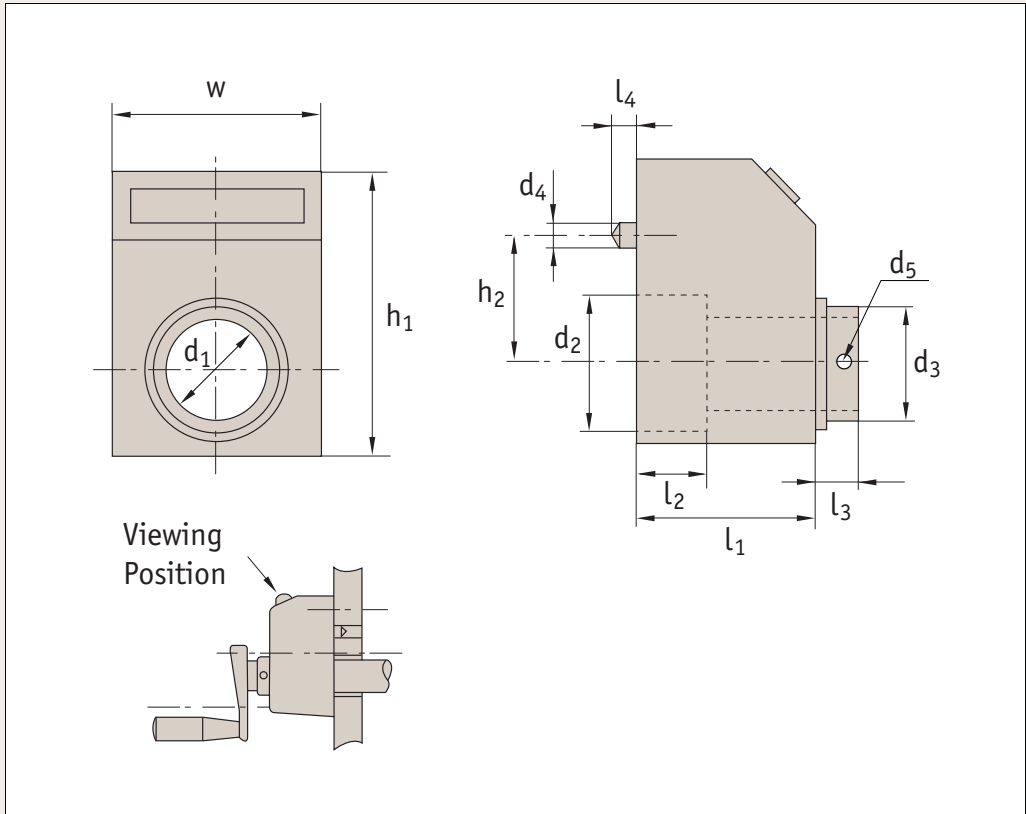
Tips
Clockwise rotation:
Part numbers end with -C
Anti-Clockwise rotation:
Part numbers end with -A

Order No.	Ratio	Pitch	Indication after 1 Revolution _{mm}	Max Speed _{mm}	d _{1H7}	d ₂	d ₃	d ₄	d ₅
L1470.005-C	1:05	0,5	5	500	14	26	20	6	M4
L1470.010-C	1:10	1,0	10	300	14	26	20	6	M4
L1470.015-C	1:15	1,5	15	300	14	26	20	6	M4
L1470.020-C	1:20	2,0	20	300	14	26	20	6	M4
L1470.025-C	1:25	2,5	25	300	14	26	20	6	M4
L1470.030-C	1:30	3,0	30	300	14	26	20	6	M4
L1470.040-C	1:40	4,0	40	200	14	26	20	6	M4
L1470.050-C	1:50	5,0	50	200	14	26	20	6	M4
L1470.060-C	1:60	6,0	60	200	14	26	20	6	M4
L1470.100-C	1:100	10,0	100	150	14	26	20	6	M4
L1470.005-A	1:05	0,5	5	500	14	26	20	6	M4
L1470.010-A	1:10	1,0	10	300	14	26	20	6	M4
L1470.015-A	1:15	1,5	15	300	14	26	20	6	M4
L1470.020-A	1:20	2,0	20	300	14	26	20	6	M4
L1470.025-A	1:25	2,5	25	300	14	26	20	6	M4
L1470.030-A	1:30	3,0	30	300	14	26	20	6	M4
L1470.040-A	1:40	4,0	40	200	14	26	20	6	M4
L1470.050-A	1:50	5,0	50	200	14	26	20	6	M4
L1470.060-A	1:60	6,0	60	200	14	26	20	6	M4
L1470.100-A	1:100	10,0	100	150	14	26	20	6	M4

Order No.	w	l ₁	l ₂	l ₃	h ₁	h ₂	h ₃	Revolution
L1470.005-C	33	24	7,5	6,5	45	16,5	22	Clockwise
L1470.010-C	33	24	7,5	6,5	45	16,5	22	Clockwise
L1470.015-C	33	24	7,5	6,5	45	16,5	22	Clockwise
L1470.020-C	33	24	7,5	6,5	45	16,5	22	Clockwise
L1470.025-C	33	24	7,5	6,5	45	16,5	22	Clockwise
L1470.030-C	33	24	7,5	6,5	45	16,5	22	Clockwise
L1470.040-C	33	24	7,5	6,5	45	16,5	22	Clockwise
L1470.050-C	33	24	7,5	6,5	45	16,5	22	Clockwise
L1470.060-C	33	24	7,5	6,5	45	16,5	22	Clockwise
L1470.100-C	33	24	7,5	6,5	45	16,5	22	Clockwise
L1470.005-A	33	24	7,5	6,5	45	16,5	22	Anti-Clockwise
L1470.010-A	33	24	7,5	6,5	45	16,5	22	Anti-Clockwise
L1470.015-A	33	24	7,5	6,5	45	16,5	22	Anti-Clockwise
L1470.020-A	33	24	7,5	6,5	45	16,5	22	Anti-Clockwise
L1470.025-A	33	24	7,5	6,5	45	16,5	22	Anti-Clockwise
L1470.030-A	33	24	7,5	6,5	45	16,5	22	Anti-Clockwise
L1470.040-A	33	24	7,5	6,5	45	16,5	22	Anti-Clockwise
L1470.050-A	33	24	7,5	6,5	45	16,5	22	Anti-Clockwise
L1470.060-A	33	24	7,5	6,5	45	16,5	22	Anti-Clockwise
L1470.100-A	33	24	7,5	6,5	45	16,5	22	Anti-Clockwise



L1472



Material

Black thermoplastic.

Technical Notes

Max. temperature is $+70^{\circ}\text{C}$.
Other ratios and spacer available on request. Different location of position indicator on counter available on request.
Five digit readout, red indicates decimals.

Tips

Clockwise rotation:
Part numbers end with -C
Anti-Clockwise rotation: Part numbers end with -A

Order No.	Ratio	Pitch	Indication after 1 Revolution mm	Max Speed mm	d _{1H7}	d ₂	d ₃	d ₄	d ₅
L1472.005-C	1:05	0,5	5	500	20	40	27	6	M5
L1472.010-C	1:10	1,0	10	300	20	40	27	6	M5
L1472.015-C	1:15	1,5	15	300	20	40	27	6	M5
L1472.020-C	1:20	2,0	20	300	20	40	27	6	M5
L1472.025-C	1:25	2,5	25	300	20	40	27	6	M5
L1472.030-C	1:30	3,0	30	300	20	40	27	6	M5
L1472.040-C	1:40	4,0	40	200	20	40	27	6	M5
L1472.050-C	1:50	5,0	50	200	20	40	27	6	M5
L1472.060-C	1:60	6,0	60	200	20	40	27	6	M5
L1472.100-C	1:100	10,0	100	150	20	40	27	6	M5
L1472.120-C	1:120	12,0	120	150	20	40	27	6	M5
L1472.005-A	1:05	0,5	5	500	20	40	27	6	M5
L1472.010-A	1:10	1,0	10	300	20	40	27	6	M5
L1472.015-A	1:15	1,5	15	300	20	40	27	6	M5
L1472.020-A	1:20	2,0	20	300	20	40	27	6	M5
L1472.025-A	1:25	2,5	25	300	20	40	27	6	M5
L1472.030-A	1:30	3,0	30	300	20	40	27	6	M5
L1472.040-A	1:40	4,0	40	200	20	40	27	6	M5
L1472.050-A	1:50	5,0	50	200	20	40	27	6	M5
L1472.060-A	1:60	6,0	60	200	20	40	27	6	M5
L1472.100-A	1:100	10,0	100	150	20	40	27	6	M5
L1472.120-A	1:120	12,0	120	150	20	40	27	6	M5

Order No.	w	l ₁	l ₂	l ₃	l ₄	h ₁	h ₂	Revolution
L1472.005-C	49	42	16,5	10	6	67	30	Clockwise
L1472.010-C	49	42	16,5	10	6	67	30	Clockwise
L1472.015-C	49	42	16,5	10	6	67	30	Clockwise
L1472.020-C	49	42	16,5	10	6	67	30	Clockwise
L1472.025-C	49	42	16,5	10	6	67	30	Clockwise
L1472.030-C	49	42	16,5	10	6	67	30	Clockwise
L1472.040-C	49	42	16,5	10	6	67	30	Clockwise
L1472.050-C	49	42	16,5	10	6	67	30	Clockwise
L1472.060-C	49	42	16,5	10	6	67	30	Clockwise
L1472.100-C	49	42	16,5	10	6	67	30	Clockwise
L1472.120-C	49	42	16,5	10	6	67	30	Clockwise
L1472.005-A	49	42	16,5	10	6	67	30	Anti-Clockwise
L1472.010-A	49	42	16,5	10	6	67	30	Anti-Clockwise
L1472.015-A	49	42	16,5	10	6	67	30	Anti-Clockwise
L1472.020-A	49	42	16,5	10	6	67	30	Anti-Clockwise
L1472.025-A	49	42	16,5	10	6	67	30	Anti-Clockwise
L1472.030-A	49	42	16,5	10	6	67	30	Anti-Clockwise
L1472.040-A	49	42	16,5	10	6	67	30	Anti-Clockwise
L1472.050-A	49	42	16,5	10	6	67	30	Anti-Clockwise
L1472.060-A	49	42	16,5	10	6	67	30	Anti-Clockwise
L1472.100-A	49	42	16,5	10	6	67	30	Anti-Clockwise
L1472.120-A	49	42	16,5	10	6	67	30	Anti-Clockwise