

P0400.A2

Material

Stainless steel (A2, AISI 303).

Technical notes

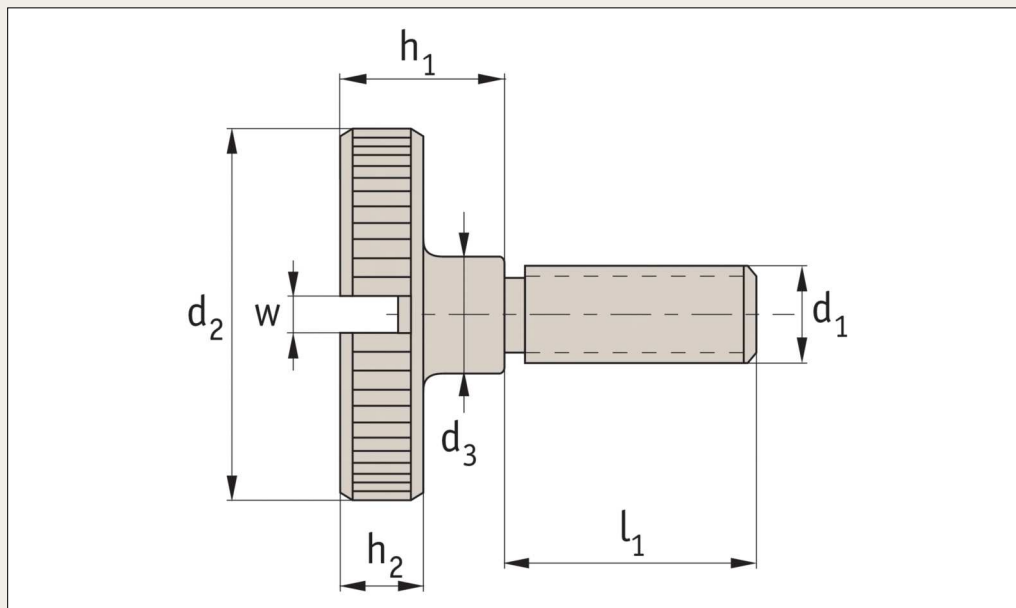
To DIN 464, all knurled screws are one-piece manufactured, contrary to the official standard sheet, they all have a thread up to the head, as shown, but no recess at the thread end.

Tips

A2 (AISI 303) stainless steel is typically used in food, pharmaceutical and similar applications requiring a degree of corrosion protection.

Order No.	d_1	l_1	d_2	d_3	h_1	h_2	l_2
P0400.030-005-A2	M 3	6	12	6	7,5	2,5	2
P0400.030-006-A2	M 3	6	12	6	7,5	2,5	2
P0400.030-008-A2	M 3	8	12	6	7,5	2,5	2
P0400.030-010-A2	M 3	10	12	6	7,5	2,5	2
P0400.030-012-A2	M 3	12	12	6	7,5	2,5	2
P0400.030-016-A2	M 3	16	12	6	7,5	2,5	2
P0400.040-005-A2	M 4	5	16	8	9,5	3,5	2
P0400.040-006-A2	M 4	6	16	8	9,5	3,5	2
P0400.040-008-A2	M 4	8	16	8	9,5	3,5	2
P0400.040-010-A2	M 4	10	16	8	9,5	3,5	2
P0400.040-012-A2	M 4	12	16	8	9,5	3,5	2
P0400.040-016-A2	M 4	16	16	8	9,5	3,5	2
P0400.040-020-A2	M 4	20	16	8	9,5	3,5	2
P0400.040-025-A2	M 4	25	16	8	9,5	3,5	2
P0400.050-010-A2	M 5	10	20	10	11,5	4,0	2
P0400.050-012-A2	M 5	12	20	10	11,5	4,0	2
P0400.050-016-A2	M 5	16	20	10	11,5	4,0	2
P0400.050-020-A2	M 5	20	20	10	11,5	4,0	2
P0400.050-025-A2	M 5	25	20	10	11,5	4,0	2
P0400.050-030-A2	M 5	30	20	10	11,5	4,0	2
P0400.060-008-A2	M 6	8	24	12	15,0	5,0	2
P0400.060-010-A2	M 6	10	24	12	15,0	5,0	2
P0400.060-012-A2	M 6	12	24	12	15,0	5,0	2
P0400.060-016-A2	M 6	16	24	12	15,0	5,0	2
P0400.060-020-A2	M 6	20	24	12	15,0	5,0	2
P0400.060-025-A2	M 6	25	24	12	15,0	5,0	2
P0400.060-030-A2	M 6	30	24	12	15,0	5,0	2

Order No.	d ₁	l ₁	d ₂	d ₃	h ₁	h ₂	l ₂
P0400.080-012-A2	M 8	12	30	16	18,0	6,0	2
P0400.080-016-A2	M 8	16	30	16	18,0	6,0	2
P0400.080-020-A2	M 8	20	30	16	18,0	6,0	2
P0400.080-025-A2	M 8	25	30	16	18,0	6,0	2
P0400.080-030-A2	M 8	30	30	16	18,0	6,0	2
P0400.100-016-A2	M10	16	36	20	23,0	8,0	2
P0400.100-020-A2	M10	20	36	20	23,0	8,0	2
P0400.100-025-A2	M10	25	36	20	23,0	8,0	2
P0400.100-030-A2	M10	30	36	20	23,0	8,0	2



P0404

Material

Stainless steel (A2, AISI 303).

Technical notes

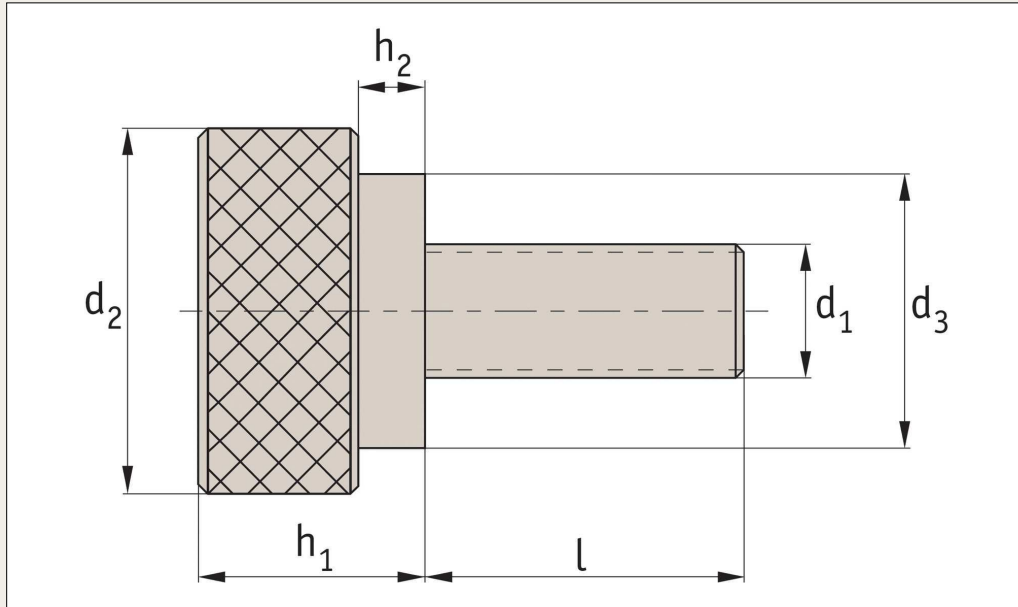
To DIN 465, with slot.

Order No.	d ₁	l	d ₂	d ₃	h ₁	h ₂	w	Material
P0404.030-006-A2	M3	6	12	6	7,5	2,5	0,8	A2 s/s
P0404.030-008-A2	M3	8	12	6	7,5	2,5	0,8	A2 s/s
P0404.030-010-A2	M3	10	12	6	7,5	2,5	0,8	A2 s/s
P0404.030-012-A2	M3	12	12	6	7,5	2,5	0,8	A2 s/s
P0404.030-016-A2	M3	16	12	6	7,5	2,5	0,8	A2 s/s
P0404.030-020-A2	M3	20	12	6	7,5	2,5	0,8	A2 s/s
P0404.040-006-A2	M4	6	16	8	9,5	3,5	1,0	A2 s/s
P0404.040-008-A2	M4	8	16	8	9,5	3,5	1,0	A2 s/s
P0404.040-010-A2	M4	10	16	8	9,5	3,5	1,0	A2 s/s
P0404.040-012-A2	M4	12	16	8	9,5	3,5	1,0	A2 s/s
P0404.040-016-A2	M4	16	16	8	9,5	3,5	1,0	A2 s/s
P0404.040-020-A2	M4	20	16	8	9,5	3,5	1,0	A2 s/s
P0404.050-006-A2	M5	6	20	10	11,5	4,0	1,2	A2 s/s
P0404.050-008-A2	M5	8	20	10	11,5	4,0	1,2	A2 s/s
P0404.050-010-A2	M5	10	20	10	11,5	4,0	1,2	A2 s/s
P0404.050-012-A2	M5	12	20	10	11,5	4,0	1,2	A2 s/s
P0404.050-016-A2	M5	16	20	10	11,5	4,0	1,2	A2 s/s
P0404.050-020-A2	M5	20	20	10	11,5	4,0	1,2	A2 s/s
P0404.060-010-A2	M6	10	24	12	15,0	5,0	1,6	A2 s/s
P0404.060-012-A2	M6	12	24	12	15,0	5,0	1,6	A2 s/s
P0404.060-016-A2	M6	16	24	12	15,0	5,0	1,6	A2 s/s
P0404.060-020-A2	M6	20	24	12	15,0	5,0	1,6	A2 s/s

Thumb Screws with Collar

A2 & A4 stainless

Thumb Screws



P0438

Material

Stainless steel (A2 AISI 303 and A4 AISI 316), diamond knurl.

Stainless steel A2 is a hard stainless steel which may (in harsh conditions) exhibit slight signs of rusting. Typically used in food and pharmaceutical applications, stainless

steel A4 is a softer stainless steel, of a higher grade.

Very resistant to corrosion - even in extremely harsh conditions (such as salt, water etc.) but more expensive.

Technical notes

Order No.	d ₁	l	d ₂	d ₃	h ₁	h ₂	Material
P0438.030-008-A2	M3	8	10	6,5	8	2,5	A2 s/s
P0438.030-010-A2	M3	10	10	6,5	8	2,5	A2 s/s
P0438.030-012-A2	M3	12	10	6,5	8	2,5	A2 s/s
P0438.030-014-A2	M3	14	10	6,5	8	2,5	A2 s/s
P0438.040-008-A2	M4	8	12	9,5	8	2,5	A2 s/s
P0438.040-010-A2	M4	10	12	9,5	8	2,5	A2 s/s
P0438.040-012-A2	M4	12	12	9,5	8	2,5	A2 s/s
P0438.040-014-A2	M4	14	12	9,5	8	2,5	A2 s/s
P0438.050-010-A2	M5	10	12	9,5	8	2,5	A2 s/s
P0438.050-012-A2	M5	12	12	9,5	8	2,5	A2 s/s
P0438.050-014-A2	M5	14	12	9,5	8	2,5	A2 s/s
P0438.050-016-A2	M5	16	12	9,5	8	2,5	A2 s/s
P0438.060-010-A2	M6	10	14	9,5	10	3,5	A2 s/s
P0438.060-012-A2	M6	12	14	9,5	10	3,5	A2 s/s
P0438.060-016-A2	M6	16	14	9,5	10	3,5	A2 s/s
P0438.060-020-A2	M6	20	14	9,5	10	3,5	A2 s/s
P0438.030-008-A4	M3	8	10	6,5	8	2,5	A4 s/s
P0438.030-010-A4	M3	10	10	6,5	8	2,5	A4 s/s
P0438.030-012-A4	M3	12	10	6,5	8	2,5	A4 s/s
P0438.030-014-A4	M3	14	10	6,5	8	2,5	A4 s/s
P0438.040-008-A4	M4	8	12	9,5	8	2,5	A4 s/s
P0438.040-010-A4	M4	10	12	9,5	8	2,5	A4 s/s
P0438.040-012-A4	M4	12	12	9,5	8	2,5	A4 s/s
P0438.040-014-A4	M4	14	12	9,5	8	2,5	A4 s/s
P0438.050-010-A4	M5	10	12	9,5	8	2,5	A4 s/s
P0438.050-012-A4	M5	12	12	9,5	8	2,5	A4 s/s

Tel: 01483 26 67 74
Fax: 01483 26 67 75

Email: info@automotioncomponents.co.uk
Web: automotioncomponents.co.uk

AUTOMOTION®
COMPONENTS

Thumb Screws with Collar

A2 & A4 stainless

Thumb Screws

Order No.	d ₁	l	d ₂	d ₃	h ₁	h ₂	Material
P0438.050-014-A4	M5	14	12	9,5	8	2,5	A4 s/s
P0438.050-016-A4	M5	16	12	9,5	8	2,5	A4 s/s
P0438.060-010-A4	M6	10	14	9,5	10	3,5	A4 s/s
P0438.060-012-A4	M6	12	14	9,5	10	3,5	A4 s/s
P0438.060-016-A4	M6	16	14	9,5	10	3,5	A4 s/s
P0438.060-020-A4	M6	20	14	9,5	10	3,5	A4 s/s