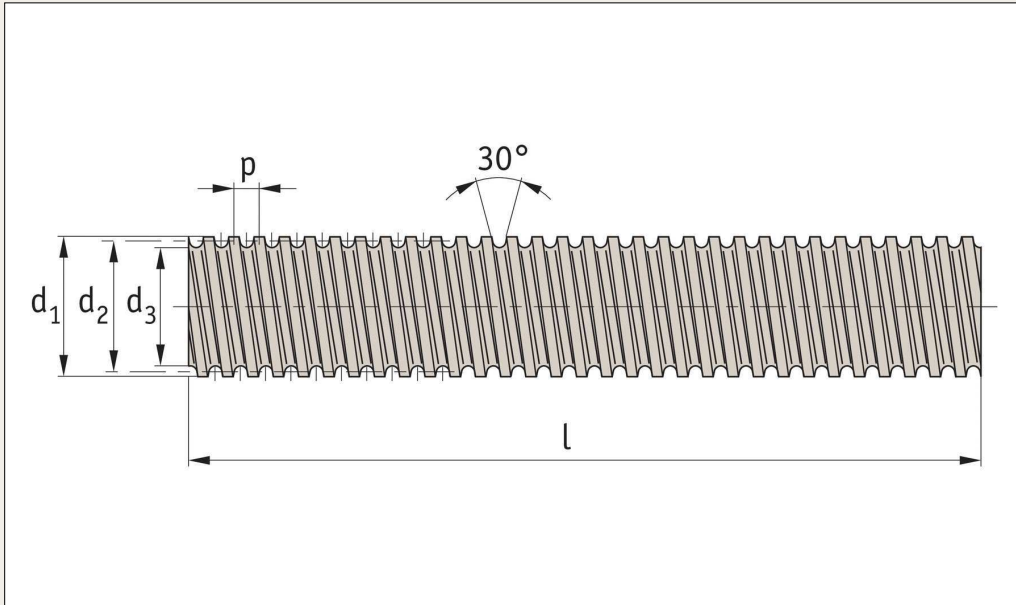


Steel Lead Screws

right hand thread

Lead Screws and Nuts



L1320

Material

Rolled trapezoidal thread, steel EN 10083-2 (C45, DIN 1.0503).
Manufactured to ISO 2901/2903 (DIN 103).
Surface hardness approx. 250HB.

Technical notes

'Lead' refers to the distance that a nut will travel for a complete revolution of the screw.
Select a suitable lead screw nut (part nos. L1330 to L1343) to suit the lead screw - the most popular nuts are the flanged, bronze nuts part no. L1331.
Single start lead screws are less expensive than twin start lead screws.

Tips

These are the standard right hand thread lead screws - for left hand thread versions see part no. L1321.
For stainless steel right hand lead screws see part no. L1322.
Cutting to required length and machining of ends - on request.
Lead screw lengths of up to 6 metres can be provided.

| Order No. | Size | d_{17e} | Lead | p | l | No. of starts | d_{27e} min. | d_{27e} max. | d_{37h} min. | d_{37h} max. | Pitch accuracy mm/300 mm | Straightness mm/300 mm | Lead angle | Δ Kg |
|------------------|--------|-----------|------|-----|------|---------------|----------------|----------------|----------------|----------------|--------------------------------|------------------------------|------------|----------------|
| L1320.R10-02-1.0 | TR10x2 | 10 | 2 | 2 | 1000 | 1 | 8,739 | 8,929 | 6.891 | 7,500 | 0,2 | 0,5 | 4°07' | 0,48 |
| L1320.R10-02-1.5 | TR10x2 | 10 | 2 | 2 | 1500 | 1 | 8,739 | 8,929 | 6.891 | 7,500 | 0,2 | 0,5 | 4°07' | 0,72 |
| L1320.R10-02-2.0 | TR10x2 | 10 | 2 | 2 | 2000 | 1 | 8,739 | 8,929 | 6.891 | 7,500 | 0,2 | 0,5 | 4°07' | 0,96 |
| L1320.R10-02-3.0 | TR10x2 | 10 | 2 | 2 | 3000 | 1 | 8,739 | 8,929 | 7.685 | 7,500 | 0,2 | 0,5 | 4°07' | 1,44 |
| L1320.R10-04-1.0 | TR10x4 | 10 | 4 | 2 | 1000 | 2 | 8,716 | 8,929 | 7.685 | 7,500 | 0,3 | 0,5 | 8°12' | 0,48 |
| L1320.R10-04-1.5 | TR10x4 | 10 | 4 | 2 | 1500 | 2 | 8,716 | 8,929 | 9.685 | 7,500 | 0,3 | 0,5 | 8°12' | 0,72 |
| L1320.R10-04-2.0 | TR10x4 | 10 | 4 | 2 | 2000 | 2 | 8,716 | 8,929 | 9.685 | 7,500 | 0,3 | 0,5 | 8°12' | 0,96 |
| L1320.R10-04-3.0 | TR10x4 | 10 | 4 | 2 | 3000 | 2 | 8,716 | 8,929 | 6.891 | 7,500 | 0,3 | 0,5 | 8°12' | 1,44 |
| L1320.R12-03-1.0 | TR12x3 | 12 | 3 | 3 | 1000 | 1 | 10,191 | 10,415 | 7,685 | 8,500 | 0,2 | 0,5 | 5°17' | 0,65 |
| L1320.R12-03-1.5 | TR12x3 | 12 | 3 | 3 | 1500 | 1 | 10,191 | 10,415 | 7,685 | 8,500 | 0,2 | 0,5 | 5°17' | 0,97 |
| L1320.R12-03-2.0 | TR12x3 | 12 | 3 | 3 | 2000 | 1 | 10,191 | 10,415 | 7,685 | 8,500 | 0,2 | 0,5 | 5°17' | 1,30 |
| L1320.R12-03-3.0 | TR12x3 | 12 | 3 | 3 | 3000 | 1 | 10,191 | 10,415 | 7,685 | 8,500 | 0,2 | 0,5 | 5°17' | 1,95 |
| L1320.R12-06-1.0 | TR12x6 | 12 | 6 | 3 | 1000 | 2 | 10,164 | 10,415 | 7,685 | 8,500 | 0,3 | 0,5 | 10°30' | 0,65 |
| L1320.R12-06-1.5 | TR12x6 | 12 | 6 | 3 | 1500 | 2 | 10,164 | 10,415 | 7,685 | 8,500 | 0,3 | 0,5 | 10°30' | 0,97 |
| L1320.R12-06-2.0 | TR12x6 | 12 | 6 | 3 | 2000 | 2 | 10,164 | 10,415 | 7,685 | 8,500 | 0,3 | 0,5 | 10°30' | 1,30 |
| L1320.R12-06-3.0 | TR12x6 | 12 | 6 | 3 | 3000 | 2 | 10,164 | 10,415 | 7,685 | 8,500 | 0,3 | 0,5 | 10°30' | 1,95 |
| L1320.R14-03-1.0 | TR14x3 | 14 | 3 | 3 | 1000 | 1 | 12,191 | 12,415 | 9,685 | 10,500 | 0,2 | 0,5 | 4°26' | 0,93 |
| L1320.R14-03-1.5 | TR14x3 | 14 | 3 | 3 | 1500 | 1 | 12,191 | 12,415 | 9,685 | 10,500 | 0,2 | 0,5 | 4°26' | 1,39 |
| L1320.R14-03-2.0 | TR14x3 | 14 | 3 | 3 | 2000 | 1 | 12,191 | 12,415 | 9,685 | 10,500 | 0,2 | 0,5 | 4°26' | 1,86 |
| L1320.R14-03-3.0 | TR14x3 | 14 | 3 | 3 | 3000 | 1 | 12,191 | 12,415 | 9,685 | 10,500 | 0,2 | 0,5 | 4°26' | 2,79 |
| L1320.R14-06-1.0 | TR14x6 | 14 | 6 | 3 | 1000 | 2 | 12,164 | 12,415 | 9,685 | 10,500 | 0,3 | 0,5 | 8°49' | 0,93 |
| L1320.R14-06-1.5 | TR14x6 | 14 | 6 | 3 | 1500 | 2 | 12,164 | 12,415 | 9,685 | 10,500 | 0,3 | 0,5 | 8°49' | 1,39 |

Tel: 01483 26 67 74
Fax: 01483 26 67 75

Email: info@automotioncomponents.co.uk
Web: automotioncomponents.co.uk

AUTOMOTION®
COMPONENTS

Steel Lead Screws

right hand thread

Lead Screws and Nuts

| Order No. | Size | d _{1 7e} | Lead | p | l | No. of starts | d _{2 7e} min. | d _{2 7e} max. | d _{3 7h} min. | d _{3 7h} max. | Pitch accuracy mm/300 mm | Straightness mm/300 mm | Lead angle | Δ± Kg |
|-------------------------|---------|-------------------|------|---|-------|---------------|------------------------|------------------------|------------------------|------------------------|--------------------------|------------------------|------------|-------|
| L1320.R14-06-2.0 | TR14x6 | 14 | 6 | 3 | 2000 | 2 | 12,164 | 12,415 | 9,685 | 10,500 | 0,3 | 0,5 | 8°49' | 1,86 |
| L1320.R14-06-3.0 | TR14x6 | 14 | 6 | 3 | 3000 | 2 | 12,164 | 12,415 | 9,685 | 10,500 | 0,3 | 0,5 | 8°49' | 2,79 |
| L1320.R16-04-1.0 | TR16x4 | 16 | 4 | 4 | 1000 | 1 | 13,640 | 13,905 | 10,474 | 11,500 | 0,05 | 0,5 | 5°16' | 1,17 |
| L1320.R16-04-1.5 | TR16x4 | 16 | 4 | 4 | 1500 | 1 | 13,640 | 13,905 | 10,474 | 11,500 | 0,05 | 0,5 | 5°16' | 1,75 |
| L1320.R16-04-2.0 | TR16x4 | 16 | 4 | 4 | 2000 | 1 | 13,640 | 13,905 | 10,474 | 11,500 | 0,05 | 0,5 | 5°16' | 2,34 |
| L1320.R16-04-3.0 | TR16x4 | 16 | 4 | 4 | 3000 | 1 | 13,640 | 13,905 | 10,474 | 11,500 | 0,05 | 0,5 | 5°16' | 3,51 |
| L1320.R16-08-1.0 | TR16x8 | 16 | 8 | 4 | 1000 | 2 | 13,608 | 13,905 | 10,474 | 11,500 | 0,1 | 0,5 | 10°29' | 1,17 |
| L1320.R16-08-1.5 | TR16x8 | 16 | 8 | 4 | 1500 | 2 | 13,608 | 13,905 | 10,474 | 11,500 | 0,1 | 0,5 | 10°29' | 1,75 |
| L1320.R16-08-2.0 | TR16x8 | 16 | 8 | 4 | 2000 | 2 | 13,608 | 13,905 | 10,474 | 11,500 | 0,1 | 0,5 | 10°29' | 2,34 |
| L1320.R16-08-3.0 | TR16x8 | 16 | 8 | 4 | 3000 | 2 | 13,608 | 13,905 | 10,474 | 11,500 | 0,1 | 0,5 | 10°29' | 3,51 |
| L1320.R18-04-1.0 | TR18x4 | 18 | 4 | 4 | 1000 | 1 | 15,640 | 15,905 | 12,474 | 13,500 | 0,05 | 0,5 | 4°36' | 1,52 |
| L1320.R18-04-1.5 | TR18x4 | 18 | 4 | 4 | 1500 | 1 | 15,640 | 15,905 | 12,474 | 13,500 | 0,05 | 0,5 | 4°36' | 2,28 |
| L1320.R18-04-2.0 | TR18x4 | 18 | 4 | 4 | 2000 | 1 | 15,640 | 15,905 | 12,474 | 13,500 | 0,05 | 0,5 | 4°36' | 3,04 |
| L1320.R18-04-3.0 | TR18x4 | 18 | 4 | 4 | 3000 | 1 | 15,640 | 15,905 | 12,474 | 13,500 | 0,05 | 0,5 | 4°36' | 4,56 |
| L1320.R18-08-1.0 | TR18x8 | 18 | 8 | 4 | 1000 | 2 | 15,608 | 15,905 | 12,474 | 13,500 | 0,1 | 0,5 | 9°20' | 1,52 |
| L1320.R18-08-1.5 | TR18x8 | 18 | 8 | 4 | 1500 | 2 | 15,608 | 15,905 | 12,474 | 13,500 | 0,1 | 0,5 | 9°20' | 2,28 |
| L1320.R18-08-2.0 | TR18x8 | 18 | 8 | 4 | 2000 | 2 | 15,608 | 15,905 | 12,474 | 13,500 | 0,1 | 0,5 | 9°20' | 3,04 |
| L1320.R18-08-3.0 | TR18x8 | 18 | 8 | 4 | 3000 | 2 | 15,608 | 15,905 | 12,474 | 13,500 | 0,1 | 0,5 | 9°20' | 4,56 |
| L1320.R20-04-1.0 | TR20x4 | 20 | 4 | 4 | 1000 | 1 | 17,640 | 17,905 | 14,474 | 15,500 | 0,05 | 0,5 | 4°05' | 1,94 |
| L1320.R20-04-1.5 | TR20x4 | 20 | 4 | 4 | 1500 | 1 | 17,640 | 17,905 | 14,474 | 15,500 | 0,05 | 0,5 | 4°05' | 2,91 |
| L1320.R20-04-2.0 | TR20x4 | 20 | 4 | 4 | 2000 | 1 | 17,640 | 17,905 | 14,474 | 15,500 | 0,05 | 0,5 | 4°05' | 3,88 |
| L1320.R20-04-3.0 | TR20x4 | 20 | 4 | 4 | 3000 | 1 | 17,640 | 17,905 | 14,474 | 15,500 | 0,05 | 0,5 | 4°05' | 5,82 |
| L1320.R20-08-1.0 | TR20x8 | 20 | 8 | 4 | 1000 | 2 | 17,608 | 17,905 | 14,474 | 15,500 | 0,1 | 0,5 | 8°09' | 1,94 |
| L1320.R20-08-1.5 | TR20x8 | 20 | 8 | 4 | 1500 | 2 | 17,608 | 17,905 | 14,474 | 15,500 | 0,1 | 0,5 | 8°09' | 2,91 |
| L1320.R20-08-2.0 | TR20x8 | 20 | 8 | 4 | 2000 | 2 | 17,608 | 17,905 | 14,474 | 15,500 | 0,1 | 0,5 | 8°09' | 3,88 |
| L1320.R20-08-3.0 | TR20x8 | 20 | 8 | 4 | 3000 | 2 | 17,608 | 17,905 | 14,474 | 15,500 | 0,1 | 0,5 | 8°09' | 5,82 |
| L1320.R22-05-1.0 | TR22x5 | 22 | 5 | 5 | 1000 | 1 | 19,114 | 19,394 | 15,294 | 16,500 | 0,05 | 0,2 | 4°43' | 2,29 |
| L1320.R22-05-1.5 | TR22x5 | 22 | 5 | 5 | 1500 | 1 | 19,114 | 19,394 | 15,294 | 16,500 | 0,05 | 0,2 | 4°43' | 3,43 |
| L1320.R22-05-2.0 | TR22x5 | 22 | 5 | 5 | 2000 | 1 | 19,114 | 19,394 | 15,294 | 16,500 | 0,05 | 0,2 | 4°43' | 4,58 |
| L1320.R22-05-3.0 | TR22x5 | 22 | 5 | 5 | 3000 | 1 | 19,114 | 19,394 | 15,294 | 16,500 | 0,05 | 0,2 | 4°43' | 6,87 |
| L1320.R22-10-1.0 | TR22x10 | 22 | 10 | 5 | 1000 | 2 | 19,058 | 19,394 | 15,294 | 16,500 | 0,2 | 0,3 | 9°23' | 2,29 |
| L1320.R22-10-1.5 | TR22x10 | 22 | 10 | 5 | 1500 | 2 | 19,058 | 19,394 | 15,294 | 16,500 | 0,2 | 0,3 | 9°23' | 3,43 |
| L1320.R22-10-2.0 | TR22x10 | 22 | 10 | 5 | 2000 | 2 | 19,058 | 19,394 | 15,294 | 16,500 | 0,2 | 0,3 | 9°23' | 4,58 |
| L1320.R22-10-3.0 | TR22x10 | 22 | 10 | 5 | 3000 | 2 | 19,058 | 19,394 | 15,294 | 16,500 | 0,2 | 0,3 | 9°23' | 6,87 |
| L1320.R24-05-1.0 | TR24x5 | 24 | 5 | 5 | 1000 | 1 | 21,094 | 21,394 | 17,269 | 18,500 | 0,05 | 0,2 | 4°17' | 2,78 |
| L1320.R24-05-1.5 | TR24x5 | 24 | 5 | 5 | 1500 | 1 | 21,094 | 21,394 | 17,269 | 18,500 | 0,05 | 0,2 | 4°17' | 4,17 |
| L1320.R24-05-2.0 | TR24x5 | 24 | 5 | 5 | 2000 | 1 | 21,094 | 21,394 | 17,269 | 18,500 | 0,05 | 0,2 | 4°17' | 5,56 |
| L1320.R24-05-3.0 | TR24x5 | 24 | 5 | 5 | 3000 | 1 | 21,094 | 21,394 | 17,269 | 18,500 | 0,05 | 0,2 | 4°17' | 8,34 |
| L1320.R24-10-1.0 | TR24x10 | 24 | 10 | 5 | 1000 | 2 | 21,058 | 21,394 | 17,269 | 18,500 | 0,2 | 0,3 | 8°31' | 2,78 |
| L1320.R24-10-1.5 | TR24x10 | 24 | 10 | 5 | 1500 | 2 | 21,094 | 21,394 | 17,269 | 18,500 | 0,2 | 0,3 | 8°31' | 4,17 |
| L1320.R24-10-2.0 | TR24x10 | 24 | 10 | 5 | 2000 | 2 | 21,094 | 21,394 | 17,269 | 18,500 | 0,2 | 0,3 | 8°31' | 5,56 |
| L1320.R24-10-3.0 | TR24x10 | 24 | 10 | 5 | 3000 | 2 | 21,094 | 21,394 | 17,269 | 18,500 | 0,2 | 0,3 | 8°31' | 8,34 |
| L1320.R26-05-1.0 | TR26x5 | 26 | 5 | 5 | 1000 | 1 | 23,094 | 23,394 | 19,269 | 20,500 | 0,05 | 0,2 | 3°55' | 3,32 |
| L1320.R26-05-1.5 | TR26x5 | 26 | 5 | 5 | 1500 | 1 | 23,094 | 23,394 | 19,269 | 20,500 | 0,05 | 0,2 | 3°55' | 4,98 |
| L1320.R26-05-2.0 | TR26x5 | 26 | 5 | 5 | 2000 | 1 | 23,094 | 23,394 | 19,269 | 20,500 | 0,05 | 0,2 | 3°55' | 6,64 |
| L1320.R26-05-3.0 | TR26x5 | 26 | 5 | 5 | 13000 | 1 | 23,094 | 23,394 | 19,269 | 20,500 | 0,05 | 0,2 | 3°55' | 9,96 |
| L1320.R26-10-1.0 | TR26x10 | 26 | 10 | 5 | 1000 | 2 | 23,058 | 23,394 | 19,269 | 20,500 | 0,2 | 0,3 | 7°48' | 3,32 |
| L1320.R26-10-1.5 | TR26x10 | 26 | 10 | 5 | 1500 | 2 | 23,094 | 23,394 | 19,269 | 20,500 | 0,2 | 0,3 | 7°48' | 4,98 |
| L1320.R26-10-2.0 | TR26x10 | 26 | 10 | 5 | 2000 | 2 | 23,094 | 23,394 | 19,269 | 20,500 | 0,2 | 0,3 | 7°48' | 6,64 |
| L1320.R26-10-3.0 | TR26x10 | 26 | 10 | 5 | 3000 | 2 | 23,094 | 23,394 | 19,269 | 20,500 | 0,2 | 0,3 | 7°48' | 9,96 |
| L1320.R28-05-1.0 | TR28x5 | 28 | 5 | 5 | 1000 | 1 | 25,094 | 25,394 | 21,269 | 22,500 | 0,05 | 0,2 | 3°36' | 3,90 |

Tel: 01483 26 67 74
Fax: 01483 26 67 75

Email: info@automotioncomponents.co.uk
Web: automotioncomponents.co.uk

AUTOMOTION®
COMPONENTS

Steel Lead Screws

right hand thread

Lead Screws and Nuts

| Order No. | Size | d _{1 7e} | Lead | p | l | No. of starts | d _{2 7e} min. | d _{2 7e} max. | d _{3 7h} min. | d _{3 7h} max. | Pitch accuracy mm/300 mm | Straightness mm/300 mm | Lead angle | Δ± Kg |
|------------------|---------|-------------------|------|---|------|---------------|------------------------|------------------------|------------------------|------------------------|--------------------------|------------------------|------------|-------|
| L1320.R28-05-1.5 | TR28x5 | 28 | 5 | 5 | 1500 | 1 | 25,094 | 25,394 | 21,269 | 22,500 | 0,05 | 0,2 | 3°36' | 5,85 |
| L1320.R28-05-2.0 | TR28x5 | 28 | 5 | 5 | 2000 | 1 | 25,094 | 25,394 | 21,269 | 22,500 | 0,05 | 0,2 | 3°36' | 7,8 |
| L1320.R28-05-3.0 | TR28x5 | 28 | 5 | 5 | 3000 | 1 | 25,094 | 25,394 | 21,269 | 22,500 | 0,05 | 0,2 | 3°36' | 11,7 |
| L1320.R28-10-1.0 | TR28x10 | 28 | 10 | 5 | 1000 | 2 | 25,058 | 25,394 | 21,269 | 22,500 | 0,2 | 0,3 | 7°12' | 3,90 |
| L1320.R28-10-1.5 | TR28x10 | 28 | 10 | 5 | 1500 | 2 | 25,094 | 25,394 | 21,269 | 22,500 | 0,2 | 0,3 | 7°12' | 5,85 |
| L1320.R28-10-2.0 | TR28x10 | 28 | 10 | 5 | 2000 | 2 | 25,094 | 25,394 | 21,269 | 22,500 | 0,2 | 0,3 | 7°12' | 7,80 |
| L1320.R28-10-3.0 | TR28x10 | 28 | 10 | 5 | 3000 | 2 | 25,094 | 25,394 | 21,269 | 22,500 | 0,2 | 0,3 | 7°12' | 11,7 |
| L1320.R30-06-1.0 | TR30x6 | 30 | 6 | 6 | 1000 | 1 | 26,547 | 26,882 | 21,563 | 23,000 | 0,07 | 0,2 | 4°05' | 4,35 |
| L1320.R30-06-1.5 | TR30x6 | 30 | 6 | 6 | 1500 | 1 | 26,547 | 26,882 | 21,563 | 23,000 | 0,07 | 0,2 | 4°05' | 6,52 |
| L1320.R30-06-2.0 | TR30x6 | 30 | 6 | 6 | 2000 | 1 | 26,547 | 26,882 | 21,563 | 23,000 | 0,07 | 0,2 | 4°05' | 8,70 |
| L1320.R30-06-3.0 | TR30x6 | 30 | 6 | 6 | 3000 | 1 | 26,547 | 26,882 | 21,563 | 23,000 | 0,07 | 0,2 | 4°05' | 13,05 |
| L1320.R30-12-1.0 | TR30x12 | 30 | 12 | 6 | 1000 | 2 | 26,058 | 26,882 | 21,563 | 23,000 | 0,2 | 0,3 | 8°08' | 4,35 |
| L1320.R30-12-1.5 | TR30x12 | 30 | 12 | 6 | 1500 | 2 | 26,547 | 26,882 | 21,563 | 23,000 | 0,2 | 0,3 | 8°08' | 6,52 |
| L1320.R30-12-2.0 | TR30x12 | 30 | 12 | 6 | 2000 | 2 | 26,547 | 26,882 | 21,563 | 23,000 | 0,2 | 0,3 | 8°08' | 8,70 |
| L1320.R30-12-3.0 | TR30x12 | 30 | 12 | 6 | 3000 | 2 | 26,547 | 26,882 | 21,563 | 23,000 | 0,2 | 0,3 | 8°08' | 13,05 |
| L1320.R32-06-1.0 | TR32x6 | 32 | 6 | 6 | 1000 | 1 | 28,547 | 28,882 | 23,563 | 25,000 | 0,07 | 0,2 | 3°48' | 5,03 |
| L1320.R32-06-1.5 | TR32x6 | 32 | 6 | 6 | 1500 | 1 | 28,547 | 28,882 | 23,563 | 25,000 | 0,07 | 0,2 | 3°48' | 7,54 |
| L1320.R32-06-2.0 | TR32x6 | 32 | 6 | 6 | 2000 | 1 | 28,547 | 28,882 | 23,563 | 25,000 | 0,07 | 0,2 | 3°48' | 10,06 |
| L1320.R32-06-3.0 | TR32x6 | 32 | 6 | 6 | 3000 | 1 | 28,547 | 28,882 | 23,563 | 25,000 | 0,07 | 0,2 | 3°48' | 15,09 |
| L1320.R32-12-1.0 | TR32x12 | 32 | 12 | 6 | 1000 | 2 | 28,507 | 28,882 | 23,563 | 25,000 | 0,2 | 0,3 | 7°34' | 5,03 |
| L1320.R32-12-1.5 | TR32x12 | 32 | 12 | 6 | 1500 | 2 | 28,547 | 28,882 | 23,563 | 25,000 | 0,2 | 0,3 | 7°34' | 7,54 |
| L1320.R32-12-2.0 | TR32x12 | 32 | 12 | 6 | 2000 | 2 | 28,547 | 28,882 | 23,563 | 25,000 | 0,2 | 0,3 | 7°34' | 10,06 |
| L1320.R32-12-3.0 | TR32x12 | 32 | 12 | 6 | 3000 | 2 | 28,547 | 28,882 | 23,563 | 25,000 | 0,2 | 0,3 | 7°34' | 15,09 |
| L1320.R36-06-1.0 | TR36x6 | 36 | 6 | 6 | 1000 | 1 | 32,547 | 32,882 | 27,563 | 29,000 | 0,07 | 0,2 | 3°20' | 6,54 |
| L1320.R36-06-1.5 | TR36x6 | 36 | 6 | 6 | 1500 | 1 | 32,547 | 32,882 | 27,563 | 29,000 | 0,07 | 0,2 | 3°20' | 9,81 |
| L1320.R36-06-2.0 | TR36x6 | 36 | 6 | 6 | 2000 | 1 | 32,547 | 32,882 | 27,563 | 29,000 | 0,07 | 0,2 | 3°20' | 13,08 |
| L1320.R36-06-3.0 | TR36x6 | 36 | 6 | 6 | 3000 | 1 | 32,547 | 32,882 | 27,563 | 29,000 | 0,07 | 0,2 | 3°20' | 19,62 |
| L1320.R36-12-1.0 | TR36x12 | 36 | 12 | 6 | 1000 | 2 | 32,507 | 32,882 | 27,563 | 29,000 | 0,2 | 0,3 | 6°39' | 6,54 |
| L1320.R36-12-1.5 | TR36x12 | 36 | 12 | 6 | 1500 | 2 | 32,547 | 32,882 | 27,563 | 29,000 | 0,2 | 0,3 | 6°39' | 9,81 |
| L1320.R36-12-2.0 | TR36x12 | 36 | 12 | 6 | 2000 | 2 | 32,547 | 32,882 | 27,563 | 29,000 | 0,2 | 0,3 | 6°39' | 13,08 |
| L1320.R36-12-3.0 | TR36x12 | 36 | 12 | 6 | 3000 | 2 | 32,547 | 32,882 | 27,563 | 29,000 | 0,2 | 0,3 | 6°39' | 19,62 |
| L1320.R40-07-1.0 | TR40x7 | 40 | 7 | 7 | 1000 | 1 | 36,020 | 36,375 | 30,381 | 32,000 | 0,08 | 0,2 | 3°31' | 7,98 |
| L1320.R40-07-1.5 | TR40x7 | 40 | 7 | 7 | 1500 | 1 | 36,020 | 36,375 | 30,381 | 32,000 | 0,08 | 0,2 | 3°31' | 11,97 |
| L1320.R40-07-2.0 | TR40x7 | 40 | 7 | 7 | 2000 | 1 | 36,020 | 36,375 | 30,381 | 32,000 | 0,08 | 0,2 | 3°31' | 15,96 |
| L1320.R40-07-3.0 | TR40x7 | 40 | 7 | 7 | 3000 | 1 | 36,020 | 36,375 | 30,381 | 32,000 | 0,08 | 0,2 | 3°31' | 23,94 |
| L1320.R40-14-1.0 | TR40x14 | 40 | 14 | 7 | 1000 | 2 | 35,977 | 36,375 | 30,381 | 32,000 | 0,2 | 0,3 | 7°01' | 7,98 |
| L1320.R40-14-1.5 | TR40x14 | 40 | 14 | 7 | 1500 | 2 | 36,020 | 36,375 | 30,381 | 32,000 | 0,2 | 0,3 | 7°01' | 11,97 |
| L1320.R40-14-2.0 | TR40x14 | 40 | 14 | 7 | 2000 | 2 | 36,020 | 36,375 | 30,381 | 32,000 | 0,2 | 0,3 | 7°01' | 15,96 |
| L1320.R40-14-3.0 | TR40x14 | 40 | 14 | 7 | 3000 | 2 | 36,020 | 36,375 | 30,381 | 32,000 | 0,2 | 0,3 | 7°01' | 23,94 |
| L1320.R44-07-1.0 | TR44x7 | 44 | 7 | 7 | 1000 | 1 | 40,020 | 40,375 | 34,381 | 36,000 | 0,08 | 0,2 | 3°10' | 9,85 |
| L1320.R44-07-1.5 | TR44x7 | 44 | 7 | 7 | 1500 | 1 | 40,020 | 40,375 | 34,381 | 36,000 | 0,08 | 0,2 | 3°10' | 14,78 |
| L1320.R44-07-2.0 | TR44x7 | 44 | 7 | 7 | 2000 | 1 | 40,020 | 40,375 | 34,381 | 36,000 | 0,08 | 0,2 | 3°10' | 19,70 |
| L1320.R44-07-3.0 | TR44x7 | 44 | 7 | 7 | 3000 | 1 | 40,020 | 40,375 | 34,381 | 36,000 | 0,08 | 0,2 | 3°10' | 29,55 |
| L1320.R44-14-1.0 | TR44x14 | 44 | 14 | 7 | 1000 | 1 | 39,977 | 40,375 | 34,381 | 36,000 | 0,2 | 0,3 | 6°20' | 9,85 |
| L1320.R44-14-1.5 | TR44x14 | 44 | 14 | 7 | 1500 | 1 | 39,977 | 40,375 | 34,381 | 36,000 | 0,2 | 0,3 | 6°20' | 14,78 |
| L1320.R44-14-2.0 | TR44x14 | 44 | 14 | 7 | 2000 | 1 | 39,977 | 40,375 | 34,381 | 36,000 | 0,2 | 0,3 | 6°20' | 19,70 |
| L1320.R44-14-3.0 | TR44x14 | 44 | 14 | 7 | 3000 | 1 | 39,977 | 40,375 | 34,381 | 36,000 | 0,2 | 0,3 | 6°20' | 29,55 |
| L1320.R50-08-1.0 | TR50x8 | 50 | 8 | 8 | 1000 | 1 | 45,468 | 45,868 | 39,168 | 41,000 | 0,1 | 0,2 | 3°11' | 12,69 |
| L1320.R50-08-1.5 | TR50x8 | 50 | 8 | 8 | 1500 | 1 | 45,468 | 45,868 | 39,168 | 41,000 | 0,1 | 0,2 | 3°11' | 19,03 |
| L1320.R50-08-2.0 | TR50x8 | 50 | 8 | 8 | 2000 | 1 | 45,468 | 45,868 | 39,168 | 41,000 | 0,1 | 0,2 | 3°11' | 25,38 |
| L1320.R50-08-3.0 | TR50x8 | 50 | 8 | 8 | 3000 | 1 | 45,468 | 45,868 | 39,168 | 41,000 | 0,1 | 0,2 | 3°11' | 38,07 |

Tel: 01483 26 67 74
Fax: 01483 26 67 75

Email: info@automotioncomponents.co.uk
Web: automotioncomponents.co.uk

AUTOMOTION®
COMPONENTS

Steel Lead Screws

right hand thread

Lead Screws and Nuts

| Order No. | Size | d _{17e} | Lead | p | l | No. of starts | d _{27e} min. | d _{27e} max. | d _{37h} min. | d _{37h} max. | Pitch accuracy mm/300 mm | Straightness mm/300 mm | Lead angle | Δ± Kg |
|--------------------------|----------|------------------|------|----|------|---------------|-----------------------|-----------------------|-----------------------|-----------------------|--------------------------|------------------------|------------|--------|
| L1320.R55-09-1.0 | TR55x9 | 55 | 9 | 9 | 1000 | 1 | 49,935 | 50,360 | 42,979 | 45,000 | 0,1 | 0,2 | 3°16' | 15,40 |
| L1320.R55-09-1.5 | TR55x9 | 55 | 9 | 9 | 1500 | 1 | 49,935 | 50,360 | 42,979 | 45,000 | 0,1 | 0,2 | 3°16' | 23,10 |
| L1320.R55-09-2.0 | TR55x9 | 55 | 9 | 9 | 2000 | 1 | 49,935 | 50,360 | 42,979 | 45,000 | 0,1 | 0,2 | 3°16' | 30,80 |
| L1320.R55-09-3.0 | TR55x9 | 55 | 9 | 9 | 3000 | 1 | 49,935 | 50,360 | 42,979 | 45,000 | 0,1 | 0,2 | 3°16' | 46,20 |
| L1320.R60-09-1.0 | TR60x9 | 60 | 9 | 9 | 1000 | 1 | 54,935 | 55,360 | 47,979 | 50,000 | 0,1 | 0,2 | 2°58' | 18,49 |
| L1320.R60-09-1.5 | TR60x9 | 60 | 9 | 9 | 1500 | 1 | 54,935 | 55,360 | 47,979 | 50,000 | 0,1 | 0,2 | 2°58' | 27,73 |
| L1320.R60-09-2.0 | TR60x9 | 60 | 9 | 9 | 2000 | 1 | 54,935 | 55,360 | 47,979 | 50,000 | 0,1 | 0,2 | 2°58' | 36,98 |
| L1320.R60-09-3.0 | TR60x9 | 60 | 9 | 9 | 3000 | 1 | 54,935 | 55,360 | 47,979 | 50,000 | 0,1 | 0,2 | 2°58' | 55,47 |
| L1320.R70-10-1.0 | TR70x10 | 70 | 10 | 10 | 1000 | 1 | 64,425 | 64,850 | 56,819 | 59,000 | 0,1 | 0,4 | 2°49' | 25,62 |
| L1320.R70-10-1.5 | TR70x10 | 70 | 10 | 10 | 1500 | 1 | 64,425 | 64,850 | 56,819 | 59,000 | 0,1 | 0,4 | 2°49' | 38,43 |
| L1320.R70-10-2.0 | TR70x10 | 70 | 10 | 10 | 2000 | 1 | 64,425 | 64,850 | 56,819 | 59,000 | 0,1 | 0,4 | 2°49' | 51,24 |
| L1320.R70-10-3.0 | TR70x10 | 70 | 10 | 10 | 3000 | 1 | 64,425 | 64,850 | 56,819 | 59,000 | 0,1 | 0,4 | 2°49' | 76,86 |
| L1320.R80-10-1.0 | TR80x10 | 80 | 10 | 10 | 1000 | 1 | 74,425 | 74,850 | 66,819 | 69,000 | 0,1 | 0,4 | 2°27' | 34,18 |
| L1320.R80-10-1.5 | TR80x10 | 80 | 10 | 10 | 1500 | 1 | 74,425 | 74,850 | 66,819 | 69,000 | 0,1 | 0,4 | 2°27' | 51,27 |
| L1320.R80-10-2.0 | TR80x10 | 80 | 10 | 10 | 2000 | 1 | 74,425 | 74,850 | 66,819 | 69,000 | 0,1 | 0,4 | 2°27' | 68,36 |
| L1320.R80-10-3.0 | TR80x10 | 80 | 10 | 10 | 3000 | 1 | 74,425 | 74,850 | 66,819 | 69,000 | 0,1 | 0,4 | 2°27' | 102,54 |
| L1320.R90-12-1.0 | TR90x12 | 90 | 12 | 12 | 1000 | 1 | 83,365 | 83,840 | 74,446 | 77,000 | 0,2 | 0,5 | 2°36' | 43,00 |
| L1320.R90-12-1.5 | TR90x12 | 90 | 12 | 12 | 1500 | 1 | 83,365 | 83,840 | 74,446 | 77,000 | 0,2 | 0,5 | 2°36' | 64,50 |
| L1320.R90-12-2.0 | TR90x12 | 90 | 12 | 12 | 2000 | 1 | 83,365 | 83,840 | 74,446 | 77,000 | 0,2 | 0,5 | 2°36' | 86,00 |
| L1320.R90-12-3.0 | TR90x12 | 90 | 12 | 12 | 3000 | 1 | 83,365 | 83,840 | 74,446 | 77,000 | 0,2 | 0,5 | 2°36' | 129,00 |
| L1320.R95-16-1.0 | TR95x16 | 95 | 16 | 16 | 1000 | 1 | 86,250 | 86,810 | 73,710 | 77,000 | 0,2 | 1,0 | 3°22' | 45,60 |
| L1320.R95-16-1.5 | TR95x16 | 95 | 16 | 16 | 1500 | 1 | 86,250 | 86,810 | 73,710 | 77,000 | 0,2 | 1,0 | 3°22' | 68,40 |
| L1320.R95-16-2.0 | TR95x16 | 95 | 16 | 16 | 2000 | 1 | 86,250 | 86,810 | 73,710 | 77,000 | 0,2 | 1,0 | 3°22' | 91,20 |
| L1320.R95-16-3.0 | TR95x16 | 95 | 16 | 16 | 3000 | 1 | 86,250 | 86,810 | 73,710 | 77,000 | 0,2 | 1,0 | 3°22' | 136,80 |
| L1320.R100-16-1.0 | TR100x16 | 100 | 16 | 16 | 1000 | 1 | 91,250 | 91,810 | 78,710 | 82,000 | 0,2 | 1,0 | 3°11' | 51,00 |
| L1320.R100-16-1.5 | TR100x16 | 100 | 16 | 16 | 1500 | 1 | 91,250 | 91,810 | 78,710 | 82,000 | 0,2 | 1,0 | 3°11' | 76,50 |
| L1320.R100-16-2.0 | TR100x16 | 100 | 16 | 16 | 2000 | 1 | 91,250 | 91,810 | 78,710 | 82,000 | 0,2 | 1,0 | 3°11' | 102,00 |
| L1320.R100-16-3.0 | TR100x16 | 100 | 16 | 16 | 3000 | 1 | 91,250 | 91,810 | 78,710 | 82,000 | 0,2 | 1,0 | 3°11' | 153,00 |
| L1320.R120-16-1.0 | TR120x16 | 120 | 16 | 16 | 1000 | 1 | 111,25 | 111,81 | 98,710 | 102,00 | 0,2 | 1,0 | 2°36' | 76,00 |
| L1320.R120-16-1.5 | TR120x16 | 120 | 16 | 16 | 1500 | 1 | 111,25 | 111,81 | 98,710 | 102,00 | 0,2 | 1,0 | 2°36' | 114,00 |
| L1320.R120-16-2.0 | TR120x16 | 120 | 16 | 16 | 2000 | 1 | 111,25 | 111,81 | 98,710 | 102,00 | 0,2 | 1,0 | 2°36' | 152,00 |
| L1320.R120-16-3.0 | TR120x16 | 120 | 16 | 16 | 3000 | 1 | 111,25 | 111,81 | 98,710 | 102,00 | 0,2 | 1,0 | 2°36' | 228,00 |