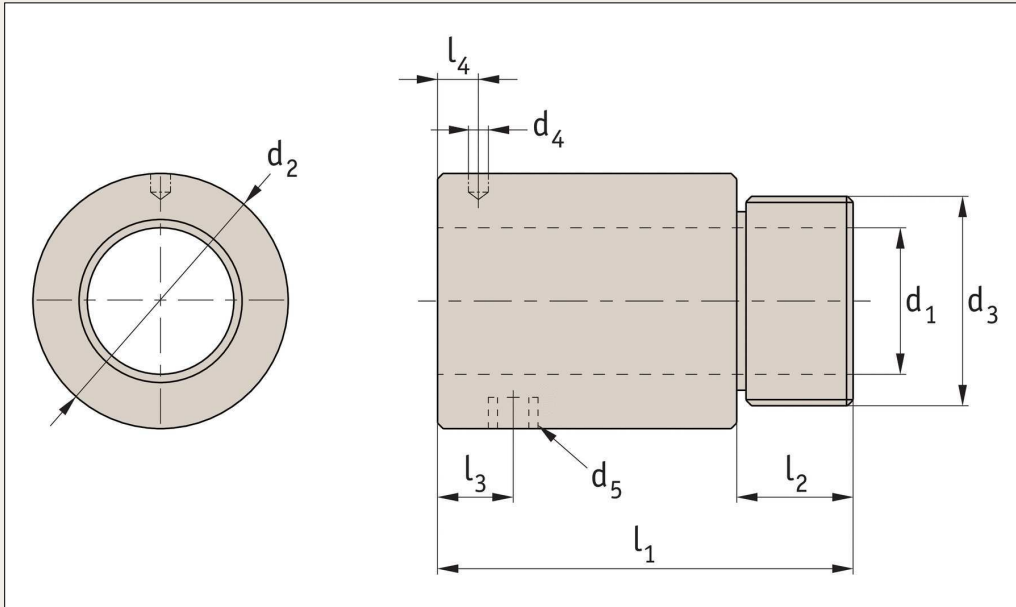


Cylindrical Ball Nuts

with thread



L1384

Material

Steel (16MnCr5 or 100Cr6), with Vulkolan seals.

Technical notes

Axial play for 5mm pitch = 0,05mm;
for 10mm pitch = 0,10mm; for multi-starts = 0,20mm.
Preload max. 5% of max. dynamic

load.

For axial run-out, concentricity and parallelism figures see technical pages.

With lubrication and fixing holes.
For use with ball screws no. L1385.

Tips

For miniature ball screws Ø6 to Ø14 see part no. L1379.

Important notes

Fit ball nut to screw using the sleeve provided. Offer up the ball nut to the screw and slide carefully on. Do not remove the ball nut from the sleeve provided - the ball bearings can come loose rendering the ball nut unusable.

Order No.	d ₁ for screw Ø	Lead p	d ₂ g6	d ₃	d ₄	d ₅	l ₁ ±0,15	l ₂	l ₃	l ₄	No. of circuits	Ball Ø	Max.dyn. load C kN	Max. static load C ₀ kN	Stiffness N/µ
L1384.16-04	16	4	29,0	M22x1,5	3,2	-	32	8	4,00	-	3x1	3,175	7,44	17,68	235
L1384.16-05	16	5	32,5	M26x1,5	3,0	-	42	12	19,25	-	3x1	3,175	10,56	22,43	245
L1384.20-05	20	5	38,0	M35x1,5	3,0	-	45	15	20,30	-	3x1	3,175	11,87	28,48	294
L1384.25-05	25	5	43,0	M40x1,5	3,0	M6	69	19	32,11	8	4x1	3,175	16,89	48,06	363