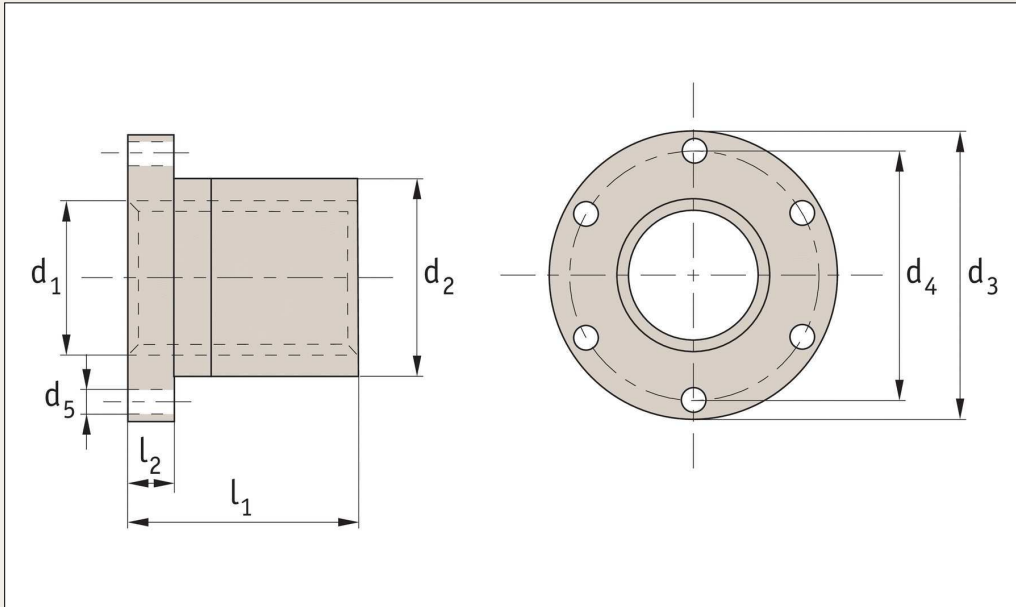


# Flanged Bronze Nuts

for lead screws

Lead Screws & Nuts



## L1331

**Material**  
Bronze (CuSn7ZnPb).

For manual or powered applications at medium/low rotation speeds under load.

Standard nuts are right hand thread, single starts.

For use with steel or stainless steel lead screws, L1320, L1321, L1322, and L1323.

**Technical notes**

**Tips**

Order No.	Size	$d_1$ 7H	Lead	Thread direction	$d_2$ h9	$d_3$ h11	$d_4$	$d_5$	$l_1$ $\pm 0.2$	$l_2$ $+0.15, -0.0$ 0	No. of starts	Contact surface mm <sup>2</sup>	Kg
L1331.R10-02	TR10x 2	10	2	Right	25	42	34	5	25	10	1	250	0,164
L1331.R10-04	TR10x 4	10	2	Right	25	42	34	5	25	10	2	250	0,164
L1331.R12-03	TR12x 3	12	3	Right	28	48	38	6	35	12	1	400	0,266
L1331.R12-06	TR12x 6	12	6	Right	28	48	38	6	35	12	2	400	0,266
L1331.R14-03	TR14x 3	14	3	Right	28	48	38	6	35	12	1	460	0,258
L1331.R14-06	TR14x 6	14	6	Right	28	48	38	6	35	12	2	460	0,258
L1331.R16-04	TR16x 4	16	4	Right	28	48	38	6	35	12	1	530	0,244
L1331.R16-08	TR16x 8	16	8	Right	28	48	38	6	35	12	2	530	0,244
L1331.R18-04	TR18x 4	18	4	Right	28	48	38	6	35	12	1	610	0,228
L1331.R18-08	TR18x 8	18	8	Right	28	48	38	6	35	12	2	610	0,228
L1331.R20-04	TR20x 4	20	4	Right	32	55	45	7	44	12	1	870	0,346
L1331.R20-08	TR20x 8	20	8	Right	32	55	45	7	44	12	2	870	0,346
L1331.R22-05	TR22x 5	22	5	Right	32	55	45	7	44	12	1	1030	0,322
L1331.R22-10	TR22x10	22	10	Right	32	55	45	7	44	12	2	1030	0,322
L1331.R24-05	TR24x 5	24	5	Right	32	55	45	7	44	12	1	1040	0,304
L1331.R24-10	TR24x10	24	10	Right	32	55	45	7	44	12	2	1040	0,304
L1331.R26-05	TR26x 5	26	5	Right	38	62	50	7	46	14	1	1280	0,474
L1331.R26-10	TR26x10	26	10	Right	38	62	50	7	46	14	2	1280	0,474
L1331.R28-05	TR28x 5	28	5	Right	38	62	50	7	46	14	1	1200	0,442
L1331.R28-10	TR28x10	28	10	Right	38	62	50	7	46	14	2	1200	0,442
L1331.R30-06	TR30x 6	30	6	Right	38	62	50	7	46	14	1	1370	0,408
L1331.R30-12	TR30x12	30	12	Right	38	62	50	7	46	14	2	1370	0,408
L1331.R32-06	TR32x 6	32	6	Right	45	70	58	7	54	16	1	1710	0,706
L1331.R32-12	TR32x12	32	12	Right	45	70	58	7	54	16	2	1710	0,706
L1331.R36-06	TR36x 6	36	6	Right	45	70	58	7	54	16	1	1950	0,606
L1331.R36-12	TR36x12	36	12	Right	45	70	58	7	54	16	2	1950	0,606
L1331.R40-07	TR40x 7	40	7	Right	63	95	78	9	66	16	1	2650	1,700
L1331.R40-14	TR40x14	40	14	Right	63	95	78	9	66	16	2	2650	1,700
L1331.R44-07	TR44x 7	44	7	Right	63	95	78	9	66	16	1	2940	1,524
L1331.R50-08	TR50x 8	50	8	Right	72	110	90	11	75	18	1	4540	2,324

Tel: 0333 207 4498

Created 2021-07-23

Email: sales@automotioncomponents.co.uk


Web: automotioncomponents.co.uk

**AUTOMOTION®**  
**COMPONENTS**

# Flanged Bronze Nuts

for lead screws

Lead Screws & Nuts

Order No.	Size	d <sub>1</sub> 7H	Lead	Thread direction	d <sub>2</sub> h9	d <sub>3</sub> h11	d <sub>4</sub>	d <sub>5</sub>	l <sub>1</sub> ±0.2	l <sub>2</sub> +0.15,-0.0 0	No.of starts	Contact surface mm <sup>2</sup>	 Kg
<b>L1331.R60-09</b>	TR60x 9	60	9	Right	88	130	110	13	90	20	1	5490	3,942
<b>L1331.R70-10</b>	TR70x10	70	10	Right	95	140	120	13	105	22	1	7500	4,465
<b>L1331.L10-02</b>	TR10x 2	10	2	Left	25	42	34	5	25	10	1	250	0,164
<b>L1331.L12-03</b>	TR12x 3	12	3	Left	28	48	38	6	35	12	1	400	0,266
<b>L1331.L14-03</b>	TR14x 3	14	3	Left	28	48	38	6	35	12	1	460	0,258
<b>L1331.L16-04</b>	TR16x 4	16	4	Left	28	48	38	6	35	12	1	530	0,244
<b>L1331.L18-04</b>	TR18x 4	18	4	Left	28	48	38	6	35	12	1	610	0,228
<b>L1331.L20-04</b>	TR20x 4	20	4	Left	32	55	45	7	44	12	1	870	0,346
<b>L1331.L22-05</b>	TR22x 5	22	5	Left	32	55	45	7	44	12	1	1030	0,322
<b>L1331.L24-05</b>	TR24x 5	24	5	Left	32	55	45	7	44	12	1	1040	0,304
<b>L1331.L26-05</b>	TR26x 5	26	5	Left	38	62	50	7	46	14	1	1280	0,474
<b>L1331.L28-05</b>	TR28x 5	28	5	Left	38	62	50	7	46	14	1	1200	0,442
<b>L1331.L30-06</b>	TR30x 6	30	6	Left	38	62	50	7	46	14	1	1370	0,408
<b>L1331.L32-06</b>	TR32x 6	32	6	Left	45	70	58	7	54	16	1	1710	0,706
<b>L1331.L36-06</b>	TR36x 6	36	6	Left	45	70	58	7	54	16	1	1950	0,606
<b>L1331.L40-07</b>	TR40x 7	40	7	Left	63	95	78	9	66	16	1	2650	1,700
<b>L1331.L44-07</b>	TR44x 7	44	7	Left	63	95	78	9	66	16	1	2940	1,524
<b>L1331.L50-08</b>	TR50x 8	50	8	Left	72	110	90	11	75	18	1	4540	2,324
<b>L1331.L60-09</b>	TR60x 9	60	9	Left	88	130	110	13	90	20	1	5490	3,942
<b>L1331.L70-10</b>	TR70x10	70	10	Left	95	140	120	13	105	22	1	7500	4,465