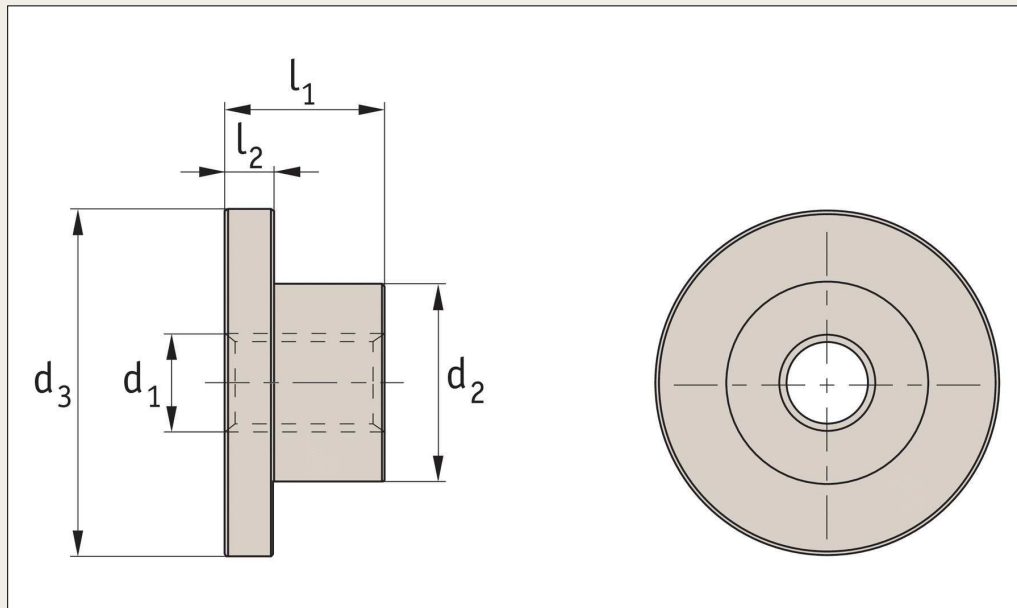


# Plain Flanged Bronze Nuts

for lead screws

Lead Screws & Nuts



**L1332**

**Material**  
Bronze (CuSn7ZnPb).

For manual or powered applications at medium/low rotation speeds under load.

Standard nuts are right hand thread, single starts.

For use with steel or stainless steel lead screws, L1320, L1321, L1322, and L1323.

**Technical notes**

**Tips**

Order No.	Size	$d_1$ 7h	Lead	Thread direction	$d_2$ h11	$d_3$ h9	$l_1$	$l_2$	No. of starts	Contact surface mm <sup>2</sup>	⚖ Kg
L1332.R10-02	TR10x 2	10	2	Right	20	35	15	6	1	150	0,068
L1332.R10-04	TR10x 2	10	4	Right	20	35	15	6	2	150	0,068
L1332.R12-03	TR12x 3	12	3	Right	24	42	20	7	1	228	0,120
L1332.R12-06	TR12x 6	12	6	Right	24	42	20	7	2	262	0,120
L1332.R14-03	TR14x 3	14	3	Right	30	52	24	10	1	315	0,260
L1332.R16-04	TR16x 4	16	4	Right	30	52	24	10	1	363	0,250
L1332.R16-08	TR16x 8	16	8	Right	30	52	24	12	2	363	0,250
L1332.R20-04	TR20x 4	20	4	Right	38	62	26	11	1	514	0,400
L1332.R20-08	TR20x 8	20	8	Right	38	62	26	12	2	514	0,400
L1332.R24-05	TR24x 5	24	5	Right	50	77	33	13	1	780	0,750
L1332.R24-10	TR24x10	24	10	Right	50	77	33	12	2	780	0,750
L1332.R30-06	TR30x 6	30	6	Right	58	90	48	15	1	1430	1,400
L1332.R30-12	TR30x12	30	12	Right	58	90	48	14	2	1430	1,400
L1332.R36-06	TR36x 6	36	6	Right	80	115	60	20	1	2166	3,200
L1332.R36-12	TR36x12	36	12	Right	80	115	60	16	2	2166	3,200
L1332.R40-07	TR40x 7	40	7	Right	80	140	65	20	1	2610	4,100
L1332.R40-14	TR40x14	40	14	Right	80	140	65	16	2	2610	4,100
L1332.R50-08	TR50x 8	50	8	Right	90	170	70	20	1	4237	5,900
L1332.L10-02	TR10x2	10	2	Left	20	35	15	6	1	150	0,068
L1332.L12-03	TR12x3	12	3	Left	24	42	20	7	1	228	0,120
L1332.L14-03	TR14x3	14	3	Left	30	52	24	10	1	315	0,260
L1332.L16-04	TR16x4	16	4	Left	30	52	24	10	1	363	0,250
L1332.L20-04	TR20x4	20	4	Left	38	62	26	11	1	514	0,400
L1332.L24-05	TR24x5	24	5	Left	50	77	33	13	1	780	0,750
L1332.L30-06	TR30x6	30	6	Left	58	90	48	15	1	1430	1,400
L1332.L36-06	TR36x6	36	6	Left	80	115	60	20	1	2166	3,200
L1332.L40-07	TR40x7	40	7	Left	80	140	65	20	1	2610	4,100
L1332.L50-08	TR50x8	50	8	Left	90	170	70	20	1	4237	5,900