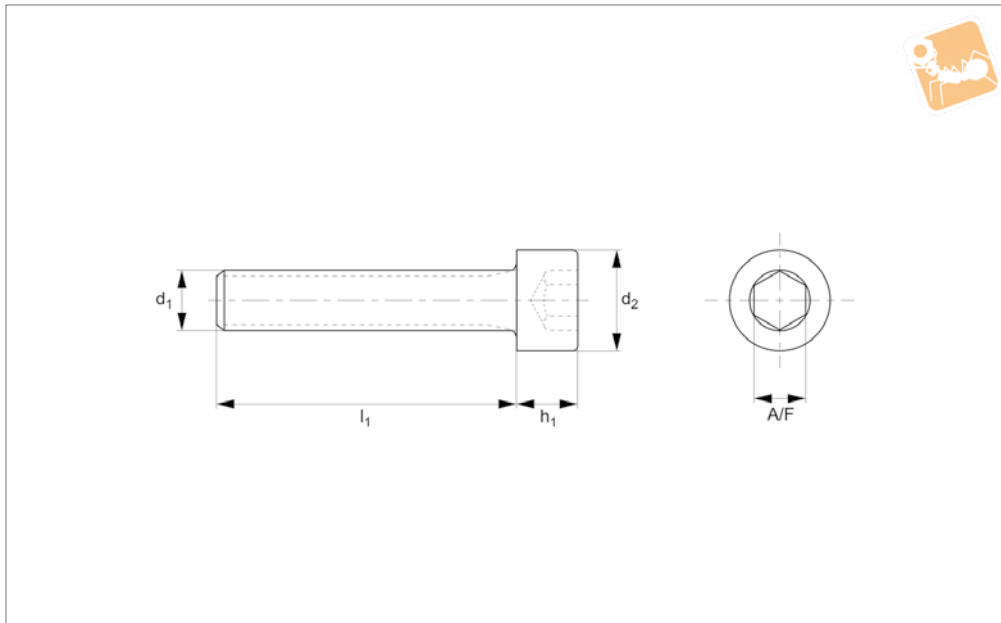




Cap Head Hexagon Socket

Natural



P0500.NP

PEEK FASTENERS

Material

Natural Polyether-ether-ketone (PEEK).
Beige.

A high performance plastic with very good durability and wear resistance. PEEK has excellent chemical resistance and performs well at temperatures up to 260°C. Tensile

strength ~116N/mm²

Technical Notes

PEEK is used in the aerospace and petro-chemical industries.

For medical industry applications, we can offer these products in a variant of PEEK

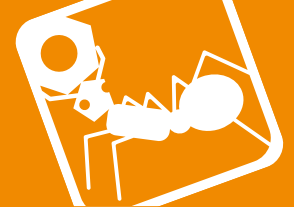
which is refined for biocompatibility.

For industries with a hygienic requirement, these products can be manufactured with an X-Ray opaque or metal detectable filler, as well as a blue colour for optical detection.

Order No.	d ₁	l ₁ +/- 0, 2	d ₂	h ₁	A/F
P0500.030-008-NP	M3	8	5.5	3	2.5
P0500.030-010-NP	M3	10	5.5	3	2.5
P0500.030-012-NP	M3	12	5.5	3	2.5
P0500.030-015-NP	M3	15	5.5	3	2.5
P0500.030-020-NP	M3	20	5.5	3	2.5
P0500.030-025-NP	M3	25	5.5	3	2.5
P0500.040-008-NP	M4	8	7.0	4	3.0
P0500.040-010-NP	M4	10	7.0	4	3.0
P0500.040-012-NP	M4	12	7.0	4	3.0
P0500.040-015-NP	M4	15	7.0	4	3.0
P0500.040-020-NP	M4	20	7.0	4	3.0
P0500.040-025-NP	M4	25	7.0	4	3.0
P0500.050-008-NP	M5	8	8.5	5	4.0
P0500.050-010-NP	M5	10	8.5	5	4.0
P0500.050-012-NP	M5	12	8.5	5	4.0
P0500.050-015-NP	M5	15	8.5	5	4.0
P0500.050-020-NP	M5	20	8.5	5	4.0
P0500.050-025-NP	M5	25	8.5	5	4.0
P0500.050-030-NP	M5	30	8.5	5	4.0
P0500.060-010-NP	M6	10	10.0	6	5.0
P0500.060-012-NP	M6	12	10.0	6	5.0
P0500.060-015-NP	M6	15	10.0	6	5.0
P0500.060-020-NP	M6	20	10.0	6	5.0
P0500.060-025-NP	M6	25	10.0	6	5.0
P0500.060-030-NP	M6	30	10.0	6	5.0
P0500.080-020-NP	M8	20	13.0	8	6.0
P0500.080-030-NP	M8	30	13.0	8	6.0
P0500.080-035-NP	M8	35	13.0	8	6.0

Cap head hexagon socket

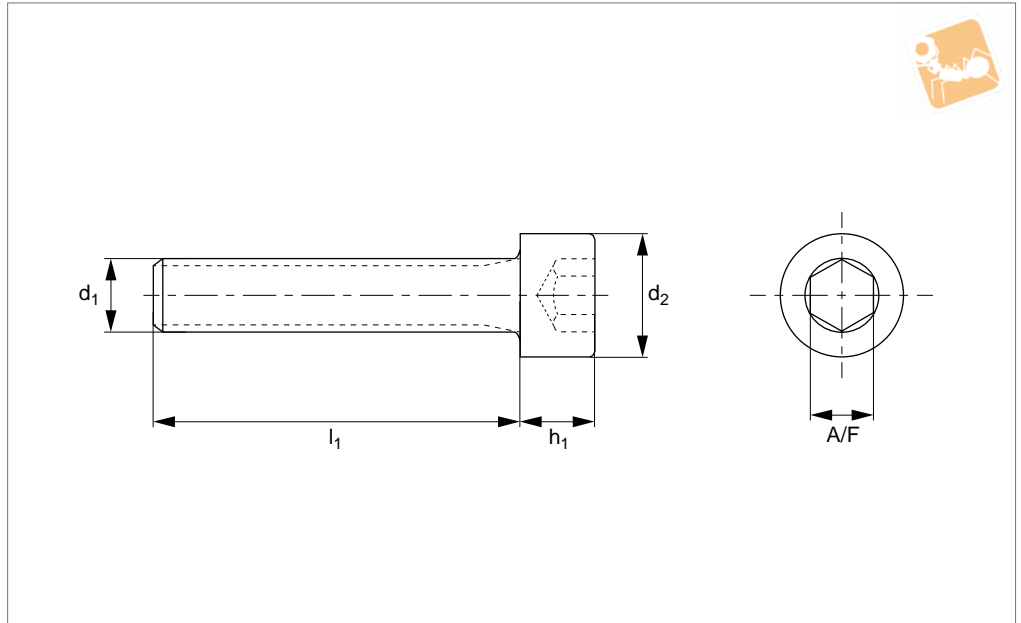
Hygienic



PEEK FASTENERS



P0500.HP



Material

Polyether ether ketone (PEEK). Blue

A high performance plastic with very good durability and wear resistance. PEEK has excellent chemical resistance and performs well at temperatures up to 260°C. Tensile

strength ~116N/mm²

Technical Notes

Manufactured for industries with a hygienic requirement, these products are made with an X-Ray opaque or metal detectable filler, in blue, for optical detection.

For medical industry applications, we can offer these products in a variant of PEEK which is refined for biocompatibility.

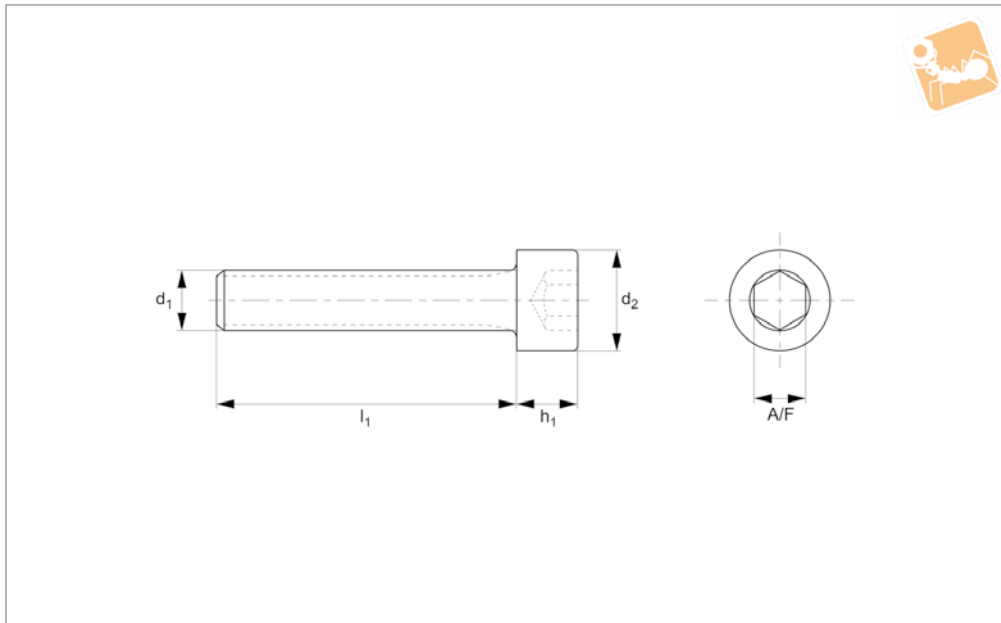
Natural PEEK is used in the aerospace and chemical industries.

Order No.	d ₁	l ₁ +/-0.2	d ₂	h ₁	A/F
P0500.030-008-HP	M3	8	5.5	3	2.5
P0500.030-010-HP	M3	10	5.5	3	2.5
P0500.030-012-HP	M3	12	5.5	3	2.5
P0500.030-015-HP	M3	15	5.5	3	2.5
P0500.030-020-HP	M3	20	5.5	3	2.5
P0500.030-025-HP	M3	25	5.5	3	2.5
P0500.040-008-HP	M4	8	7.0	4	3.0
P0500.040-010-HP	M4	10	7.0	4	3.0
P0500.040-012-HP	M4	12	7.0	4	3.0
P0500.040-015-HP	M4	15	7.0	4	3.0
P0500.040-020-HP	M4	20	7.0	4	3.0
P0500.040-025-HP	M4	25	7.0	4	3.0
P0500.050-008-HP	M5	8	8.5	5	4.0
P0500.050-010-HP	M5	10	8.5	5	4.0
P0500.050-012-HP	M5	12	8.5	5	4.0
P0500.050-015-HP	M5	15	8.5	5	4.0
P0500.050-020-HP	M5	20	8.5	5	4.0
P0500.050-025-HP	M5	25	8.5	5	4.0
P0500.050-030-HP	M5	30	8.5	5	4.0
P0500.060-010-HP	M6	10	10.0	6	5.0
P0500.060-012-HP	M6	12	10.0	6	5.0
P0500.060-015-HP	M6	15	10.0	6	5.0
P0500.060-020-HP	M6	20	10.0	6	5.0
P0500.060-025-HP	M6	25	10.0	6	5.5
P0500.060-030-HP	M6	30	10.0	6	5.5
P0500.080-020-HP	M8	20	13.0	8	6.0
P0500.080-025-HP	M8	25	13.0	8	6.0
P0500.080-030-HP	M8	30	13.0	8	6.0
P0500.080-035-HP	M8	35	13.0	8	6.0



Cap head hexagon socket

Medical



P0500.MP

PEEK FASTENERS

Material

Polyether ether ketone (PEEK). Green

A high performance plastic with very good durability and wear resistance. PEEK has excellent chemical resistance and performs well at temperatures up to 260°C. Tensile

strength ~116N/mm².

Technical Notes

Manufactured for medical industry applications, these products are in a variant of PEEK which is refined for biocompatibility.

For industries with a hygienic requirement, these products are available with an X-Ray opaque or metal detectable filler, blue in colour, for optical detection.

Natural PEEK is used in the aerospace and chemical industries.

Order No.	d ₁	l ₁ +/- 0.2	d ₂	h ₁	A/F
P0500.030-008-MP	M3	8	5.5	3	2.5
P0500.030-010-MP	M3	10	5.5	3	2.5
P0500.030-012-MP	M3	12	5.5	3	2.5
P0500.030-015-MP	M3	15	5.5	3	2.5
P0500.030-020-MP	M3	20	5.5	3	2.5
P0500.030-025-MP	M3	25	5.5	3	2.5
P0500.040-008-MP	M4	8	7.0	4	3.0
P0500.040-010-MP	M4	10	7.0	4	3.0
P0500.040-012-MP	M4	12	7.0	4	3.0
P0500.040-015-MP	M4	15	7.0	4	3.0
P0500.040-020-MP	M4	20	7.0	4	3.0
P0500.040-025-MP	M4	25	7.0	4	3.0
P0500.050-008-MP	M5	8	8.5	5	4.0
P0500.050-010-MP	M5	10	8.5	5	4.0
P0500.050-012-MP	M5	12	8.5	5	4.0
P0500.050-015-MP	M5	15	8.5	5	4.0
P0500.050-020-MP	M5	20	8.5	5	4.0
P0500.050-025-MP	M5	25	8.5	5	4.0
P0500.050-030-MP	M5	30	8.5	5	4.0
P0500.060-010-MP	M6	10	10.0	6	5.0
P0500.060-012-MP	M6	12	10.0	6	5.0
P0500.060-015-MP	M6	15	10.0	6	5.0
P0500.060-020-MP	M6	20	10.0	6	5.0
P0500.060-025-MP	M6	25	10.0	6	5.0
P0500.060-030-MP	M6	30	10.0	6	5.0
P0500.080-020-MP	M8	20	13.0	8	6.0
P0500.080-025-MP	M8	25	13.0	8	6.0
P0500.080-030-MP	M8	30	13.0	8	6.0
P0500.080-035-MP	M8	35	13.0	8	6.0