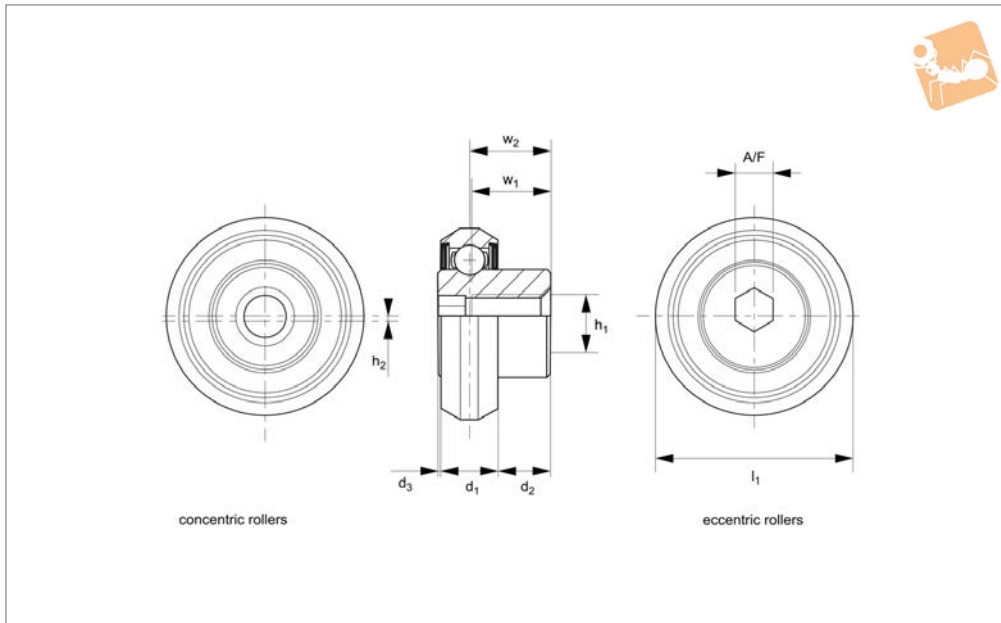




Steel Replacement Rollers for T version steel X-rails



Long Linear
Rails



L1970.CR2640

LONG LINEAR RAILS

Material

Steel rollers with metal seals (2z).

rails.

Technical Notes

For use with X-rail steel sliders in T type

Tips

* if used in U-rails.

Order No.	For slider type	Type	Body	h_1	h_2	l_1	d_1	d_2	d_3	w_1	w_2	A/F	Load $C_{0\ rad}$ N	Weight kg
L1970.RLN26	L1970.26T-080	Concentric	Solid	M 5	-	20.2	6	5.50	0.3	8.20	8.5	4	560	0.013
L1970.RLA26	L1970.26T-080	Eccentric	Solid	M 5	0.6	20.2	6	5.50	0.3	8.20	8.5	4	560	0.013
L1970.RLN40	L1970.40T-135	Concentric	Solid	M 6	-	31.5	10	4.65	-	9.65	10.0	5	1200	0.048
L1970.RLA40	L1970.40T-135	Eccentric	Solid	M 6	0.7	31.5	10	4.65	-	9.65	10.0	5	(950*)	0.048