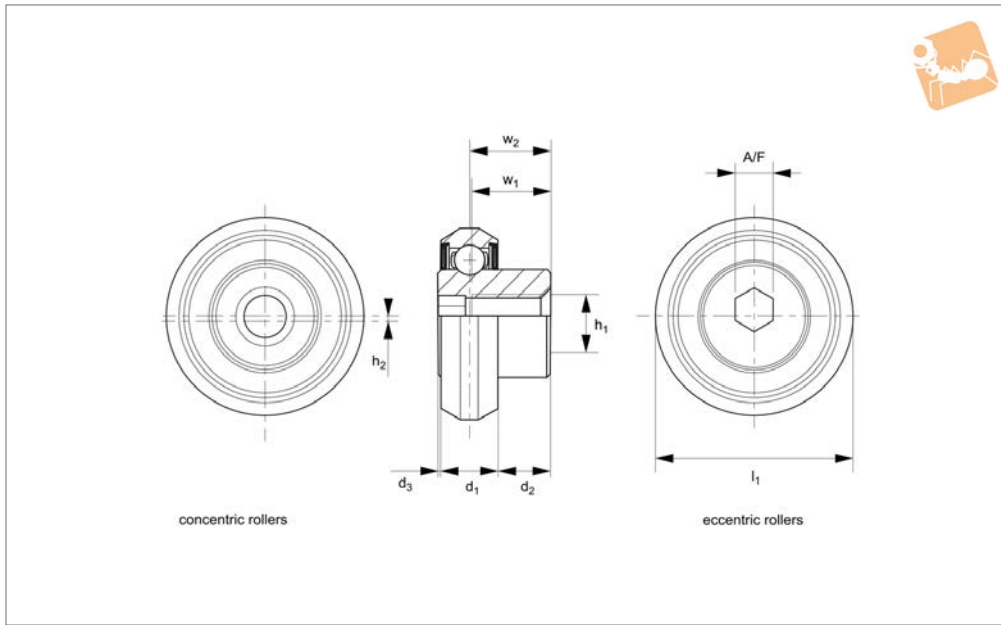




Stainless Replacement Rollers for T version stainless X-rails



Long Linear
Rails



L1971.CR2640

LONG LINEAR RAILS

Material

Stainless steel rollers with splashproof rubber seals (2RS).

T type stainless steel rails.

Tips

* if used in U-rails.

Technical Notes

For use with X-rail stainless steel sliders in

Order No.	For slider type	Type	Body	h_1	h_2	l_1	d_1	d_2	d_3	w_1	w_2	w_3	A/F	Load C_{0rad} N	Weight kg
L1971.RLNx26	L1971.26T-080	Concentric	Solid	M 5	-	20.2	6	5.50	0.3	8.20	8.5	0.3	4	370	0.013
L1971.RLAX26	L1971.26T-080	Eccentric	Solid	M 5	0.6	20.2	6	5.50	0.3	8.20	8.5	0.3	4	370	0.013
L1971.RLNx40	L1971.40T-135	Concentric	Solid	M 6	-	31.5	10	4.65	-	9.65	10	-	5	735	0.048
L1971.RLAX40	L1971.40T-135	Eccentric	Solid	M 6	0.7	31.5	10	4.65	-	9.65	10	-	5	(590*)	0.048