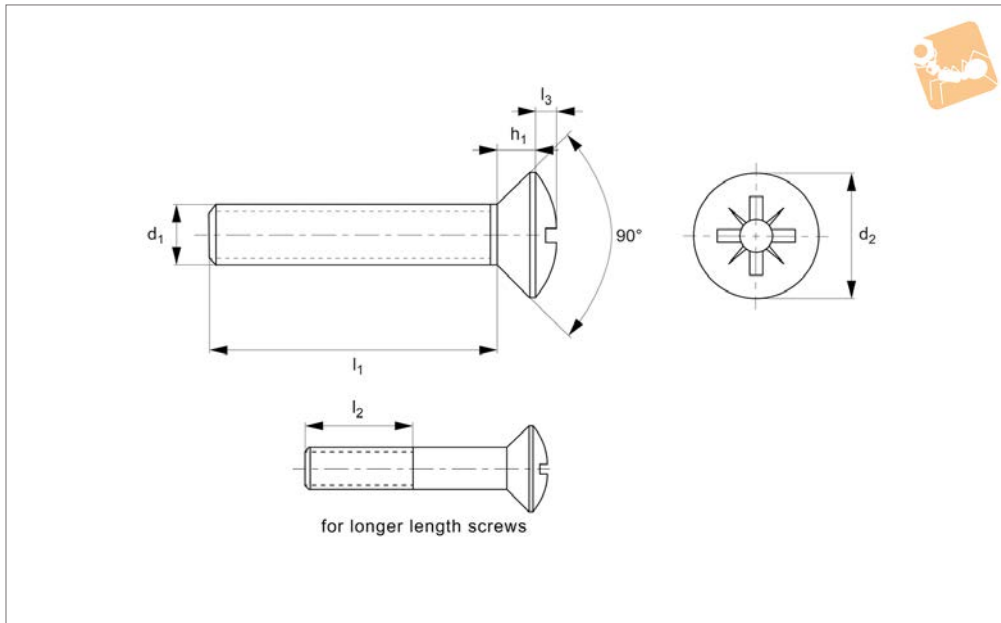
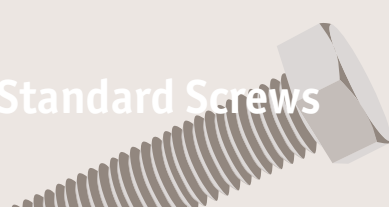




Pozi Raised C'sunk Machine Screws

Pozi raised - steel, zinc-plated

Standard Screws



P0227.ZP

STANDARD SCREWS

Material

Steel, zinc-plated (grade 4.8).

head of the screw (i.e. $l_1 = l_2$) less 2.5 thread pitches.

Technical Notes

To DIN 966. For the majority of screw lengths the threads goes all the way to the

For longer length screws the threaded portion $l_2 < l_1$.

Order No.	d_1	l_1	d_2	l_2	l_3	h_1	Size
P0227.020-004-ZP	M2	4	3.8	-	0.4	1.2	PZ-1
P0227.020-005-ZP	M2	5	3.8	-	0.4	1.2	PZ-1
P0227.020-006-ZP	M2	6	3.8	-	0.4	1.2	PZ-1
P0227.020-008-ZP	M2	8	3.8	-	0.4	1.2	PZ-1
P0227.020-010-ZP	M2	10	3.8	-	0.4	1.2	PZ-1
P0227.020-012-ZP	M2	12	3.8	-	0.4	1.2	PZ-1
P0227.025-004-ZP	M2,5	4	4.7	-	0.5	1.5	PZ-1
P0227.025-005-ZP	M2,5	5	4.7	-	0.5	1.5	PZ-1
P0227.025-006-ZP	M2,5	6	4.7	-	0.5	1.5	PZ-1
P0227.025-008-ZP	M2,5	8	4.7	-	0.5	1.5	PZ-1
P0227.025-010-ZP	M2,5	10	4.7	-	0.5	1.5	PZ-1
P0227.025-012-ZP	M2,5	12	4.7	-	0.5	1.5	PZ-1
P0227.025-014-ZP	M2,5	14	4.7	-	0.5	1.5	PZ-1
P0227.025-016-ZP	M2,5	16	4.7	-	0.5	1.5	PZ-1
P0227.025-018-ZP	M2,5	18	4.7	-	0.5	1.5	PZ-1
P0227.025-020-ZP	M2,5	20	4.7	-	0.5	1.5	PZ-1
P0227.030-004-ZP	M3	4	5.6	-	0.6	1.65	PZ-1
P0227.030-005-ZP	M3	5	5.6	-	0.6	1.65	PZ-1
P0227.030-006-ZP	M3	6	5.6	-	0.6	1.65	PZ-1
P0227.030-008-ZP	M3	8	5.6	-	0.6	1.65	PZ-1
P0227.030-010-ZP	M3	10	5.6	-	0.6	1.65	PZ-1
P0227.030-012-ZP	M3	12	5.6	-	0.6	1.65	PZ-1
P0227.030-014-ZP	M3	14	5.6	-	0.6	1.65	PZ-1
P0227.030-016-ZP	M3	16	5.6	-	0.6	1.65	PZ-1
P0227.030-018-ZP	M3	18	5.6	-	0.6	1.65	PZ-1
P0227.030-020-ZP	M3	20	5.6	19	0.6	1.65	PZ-1
P0227.030-025-ZP	M3	25	5.6	19	0.6	1.65	PZ-1
P0227.030-028-ZP	M3	28	5.6	19	0.6	1.65	PZ-1
P0227.030-030-ZP	M3	30	5.6	19	0.6	1.65	PZ-1
P0227.030-035-ZP	M3	35	5.6	19	0.6	1.65	PZ-1
P0227.030-040-ZP	M3	40	5.6	19	0.6	1.65	PZ-1
P0227.030-045-ZP	M3	45	5.6	19	0.6	1.65	PZ-1
P0227.030-050-ZP	M3	50	5.6	19	0.6	1.65	PZ-1



STANDARD SCREWS

Order No.	d ₁	l ₁	d ₂	l ₂	l ₃	h ₁	Size
P0227.040-005-ZP	M4	5	7.5	-	0.8	2.2	PZ-2
P0227.040-006-ZP	M4	6	7.5	-	0.8	2.2	PZ-2
P0227.040-008-ZP	M4	8	7.5	-	0.8	2.2	PZ-2
P0227.040-010-ZP	M4	10	7.5	-	0.8	2.2	PZ-2
P0227.040-012-ZP	M4	12	7.5	-	0.8	2.2	PZ-2
P0227.040-014-ZP	M4	14	7.5	-	0.8	2.2	PZ-2
P0227.040-016-ZP	M4	16	7.5	-	0.8	2.2	PZ-2
P0227.040-018-ZP	M4	18	7.5	-	0.8	2.2	PZ-2
P0227.040-020-ZP	M4	20	7.5	-	0.8	2.2	PZ-2
P0227.040-025-ZP	M4	25	7.5	-	0.8	2.2	PZ-2
P0227.040-028-ZP	M4	28	7.5	22	0.8	2.2	PZ-2
P0227.040-030-ZP	M4	30	7.5	22	0.8	2.2	PZ-2
P0227.040-035-ZP	M4	35	7.5	22	0.8	2.2	PZ-2
P0227.040-040-ZP	M4	40	7.5	22	0.8	2.2	PZ-2
P0227.040-045-ZP	M4	45	7.5	22	0.8	2.2	PZ-2
P0227.040-050-ZP	M4	50	7.5	22	0.8	2.2	PZ-2
P0227.040-055-ZP	M4	55	7.5	22	0.8	2.2	PZ-2
P0227.040-060-ZP	M4	60	7.5	22	0.8	2.2	PZ-2
P0227.040-065-ZP	M4	65	7.5	22	0.8	2.2	PZ-2
P0227.040-070-ZP	M4	70	7.5	22	0.8	2.2	PZ-2
P0227.050-006-ZP	M5	6	9.2	-	1.0	2.5	PZ-2
P0227.050-008-ZP	M5	8	9.2	-	1.0	2.5	PZ-2
P0227.050-010-ZP	M5	10	9.2	-	1.0	2.5	PZ-2
P0227.050-012-ZP	M5	12	9.2	-	1.0	2.5	PZ-2
P0227.050-014-ZP	M5	14	9.2	-	1.0	2.5	PZ-2
P0227.050-016-ZP	M5	16	9.2	-	1.0	2.5	PZ-2
P0227.050-018-ZP	M5	18	9.2	-	1.0	2.5	PZ-2
P0227.050-020-ZP	M5	20	9.2	-	1.0	2.5	PZ-2
P0227.050-025-ZP	M5	25	9.2	-	1.0	2.5	PZ-2
P0227.050-028-ZP	M5	28	9.2	-	1.0	2.5	PZ-2
P0227.050-030-ZP	M5	30	9.2	-	1.0	2.5	PZ-2
P0227.050-035-ZP	M5	35	9.2	25	1.0	2.5	PZ-2
P0227.050-040-ZP	M5	40	9.2	25	1.0	2.5	PZ-2
P0227.050-045-ZP	M5	45	9.2	25	1.0	2.5	PZ-2
P0227.050-050-ZP	M5	50	9.2	25	1.0	2.5	PZ-2
P0227.050-055-ZP	M5	55	9.2	25	1.0	2.5	PZ-2
P0227.050-060-ZP	M5	60	9.2	25	1.0	2.5	PZ-2
P0227.050-065-ZP	M5	65	9.2	25	1.0	2.5	PZ-2
P0227.050-070-ZP	M5	70	9.2	25	1.0	2.5	PZ-2
P0227.050-075-ZP	M5	75	9.2	25	1.0	2.5	PZ-2
P0227.050-080-ZP	M5	80	9.2	25	1.0	2.5	PZ-2
P0227.050-085-ZP	M5	85	9.2	25	1.0	2.5	PZ-2
P0227.050-090-ZP	M5	90	9.2	25	1.0	2.5	PZ-2
P0227.050-095-ZP	M5	90	9.2	25	1.0	2.5	PZ-2
P0227.050-100-ZP	M5	100	9.2	25	1.0	2.5	PZ-2
P0227.060-008-ZP	M6	8	11	-	1.2	3.0	PZ-3
P0227.060-010-ZP	M6	10	11	-	1.2	3.0	PZ-3
P0227.060-012-ZP	M6	12	11	-	1.2	3.0	PZ-3
P0227.060-014-ZP	M6	14	11	-	1.2	3.0	PZ-3
P0227.060-016-ZP	M6	16	11	-	1.2	3.0	PZ-3
P0227.060-018-ZP	M6	18	11	-	1.2	3.0	PZ-3
P0227.060-020-ZP	M6	20	11	-	1.2	3.0	PZ-3
P0227.060-022-ZP	M6	22	11	-	1.2	3.0	PZ-3
P0227.060-025-ZP	M6	25	11	-	1.2	3.0	PZ-3
P0227.060-030-ZP	M6	30	11	28	1.2	3.0	PZ-3
P0227.060-035-ZP	M6	35	11	28	1.2	3.0	PZ-3
P0227.060-040-ZP	M6	40	11	28	1.2	3.0	PZ-3
P0227.060-045-ZP	M6	45	11	28	1.2	3.0	PZ-3
P0227.060-050-ZP	M6	50	11	28	1.2	3.0	PZ-3
P0227.060-055-ZP	M6	55	11	28	1.2	3.0	PZ-3
P0227.060-060-ZP	M6	60	11	28	1.2	3.0	PZ-3
P0227.060-065-ZP	M6	65	11	28	1.2	3.0	PZ-3
P0227.060-070-ZP	M6	70	11	28	1.2	3.0	PZ-3
P0227.060-075-ZP	M6	75	11	28	1.2	3.0	PZ-3
P0227.060-080-ZP	M6	80	11	28	1.2	3.0	PZ-3
P0227.060-090-ZP	M6	90	11	28	1.2	3.0	PZ-3
P0227.060-100-ZP	M6	100	11	28	1.2	3.0	PZ-3