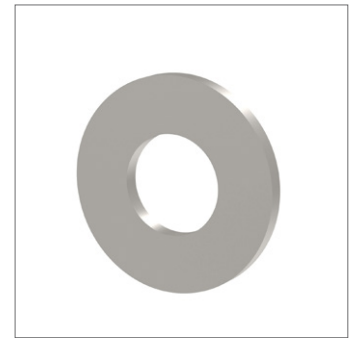
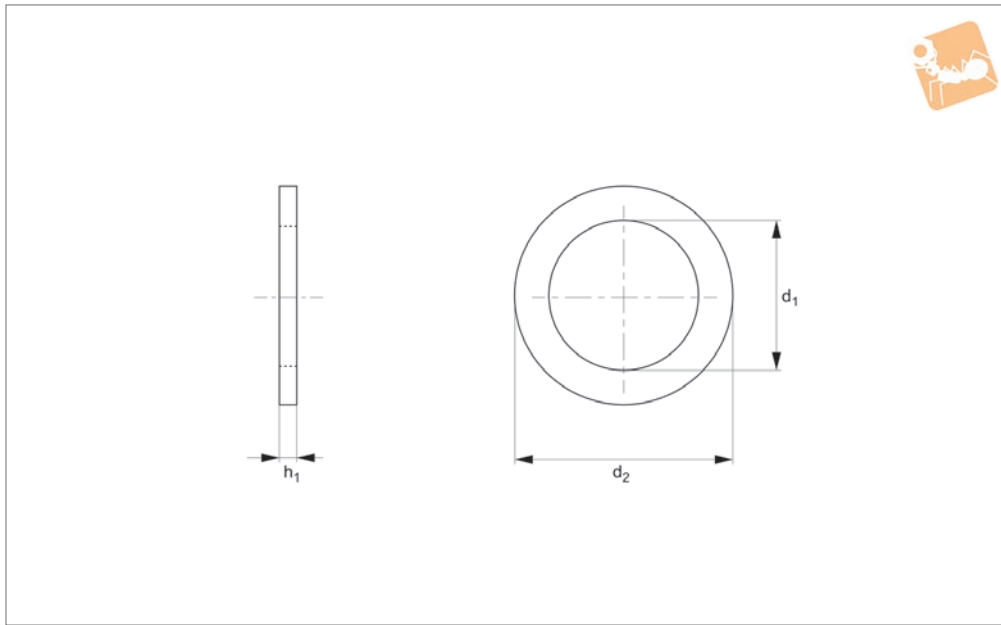




Shim Washers

304 stainless



P0342.A2

FLAT WASHERS

Material

Stainless steel (A2, AISI 304).

Technical Notes

To DIN 988.

Order No.	d ₁ tol. D12	d ₂ tol. d12	h ₁ -0.05
P0342.03-06-01	3.0	6.0	0.1
P0342.03-06-02	3.0	6.0	0.2
P0342.03-06-03	3.0	6.0	0.3
P0342.03-06-04	3.0	6.0	0.4
P0342.03-06-05	3.0	6.0	0.5
P0342.04-08-01	4.0	8.0	0.1
P0342.04-08-02	4.0	8.0	0.2
P0342.04-08-03	4.0	8.0	0.3
P0342.04-08-05	4.0	8.0	0.5
P0342.04-08-10	4.0	8.0	1.0
P0342.05-10-02	5.0	10.0	0.2
P0342.05-10-03	5.0	10.0	0.3
P0342.05-10-05	5.0	10.0	0.5
P0342.05-10-10	5.0	10.0	1.0
P0342.05-10-01	5.0	10.0	0.1
P0342.06-12-01	6.0	12.0	0.1
P0342.06-12-03	6.0	12.0	0.3
P0342.06-12-02	6.0	12.0	0.2
P0342.06-12-05	6.0	12.0	0.5
P0342.06-12-10	6.0	12.0	1.0
P0342.08-14-01	8.0	14.0	0.1
P0342.08-14-02	8.0	14.0	0.2
P0342.08-14-03	8.0	14.0	0.3
P0342.08-14-05	8.0	14.0	0.5
P0342.08-14-10	8.0	14.0	1.0
P0342.10-16-02	10.0	16.0	0.2
P0342.10-16-05	10.0	16.0	0.5
P0342.10-16-10	10.0	16.0	1.0
P0342.10-16-01	10.0	16.0	0.1
P0342.10-16-03	10.0	16.0	0.3
P0342.12-18-01	12.0	18.0	0.1
P0342.12-18-02	12.0	18.0	0.2
P0342.12-18-03	12.0	18.0	0.3
P0342.12-18-05	12.0	18.0	0.5



FLAT WASHERS

Order No.	d ₁ tol. D12	d ₂ tol. d12	h ₁ -0.05
P0342.12-18-10	12.0	18.0	1.0
P0342.14-20-01	14.0	20.0	0.1
P0342.14-20-02	14.0	20.0	0.2
P0342.14-20-03	14.0	20.0	0.3
P0342.14-20-05	14.0	20.0	0.5
P0342.14-20-10	14.0	20.0	1.0
P0342.15-21-01	15.0	21.0	0.1
P0342.15-21-02	15.0	21.0	0.2
P0342.15-21-03	15.0	21.0	0.3
P0342.15-21-05	15.0	21.0	0.5
P0342.15-21-10	15.0	21.0	1.0
P0342.15-21-20	15.0	21.0	2.0
P0342.15-22-05	15.0	22.0	0.5
P0342.15-22-10	15.0	22.0	1.0
P0342.16-22-01	16.0	22.0	0.1
P0342.16-22-02	16.0	22.0	0.2
P0342.16-22-03	16.0	22.0	0.3
P0342.16-22-05	16.0	22.0	0.5
P0342.16-22-10	16.0	22.0	1.0
P0342.17-24-03	17.0	24.0	0.3
P0342.17-24-05	17.0	24.0	0.5
P0342.17-24-10	17.0	24.0	1.0
P0342.17-24-15	17.0	24.0	1.5
P0342.18-25-02	18.0	25.0	0.2
P0342.18-25-03	18.0	25.0	0.3
P0342.18-25-10	18.0	25.0	1.0
P0342.20-28-01	20.0	28.0	0.1
P0342.20-28-02	20.0	28.0	0.2
P0342.20-28-03	20.0	28.0	0.3
P0342.20-28-05	20.0	28.0	0.5
P0342.20-28-10	20.0	28.0	1.0
P0342.22-30-01	22.0	30.0	0.1
P0342.22-30-05	22.0	30.0	0.5
P0342.25-35-01	25.0	35.0	0.1
P0342.25-35-02	25.0	35.0	0.2
P0342.25-35-03	25.0	35.0	0.3
P0342.25-35-05	25.0	35.0	0.5
P0342.25-35-10	25.0	35.0	1.0
P0342.25-35-15	25.0	35.0	1.5
P0342.28-40-01	28.0	40.0	0.1
P0342.28-40-05	28.0	40.0	0.5
P0342.30-42-01	30.0	42.0	0.1
P0342.30-42-05	30.0	42.0	0.5
P0342.30-42-10	30.0	42.0	1.0
P0342.35-45-03	35.0	45.0	0.3
P0342.35-45-05	35.0	45.0	0.5
P0342.35-45-10	35.0	45.0	1.0
P0342.40-50-01	40.0	50.0	0.1
P0342.40-50-05	40.0	50.0	0.5
P0342.40-50-10	40.0	50.0	1.0
P0342.50-62-02	50.0	62.0	0.2