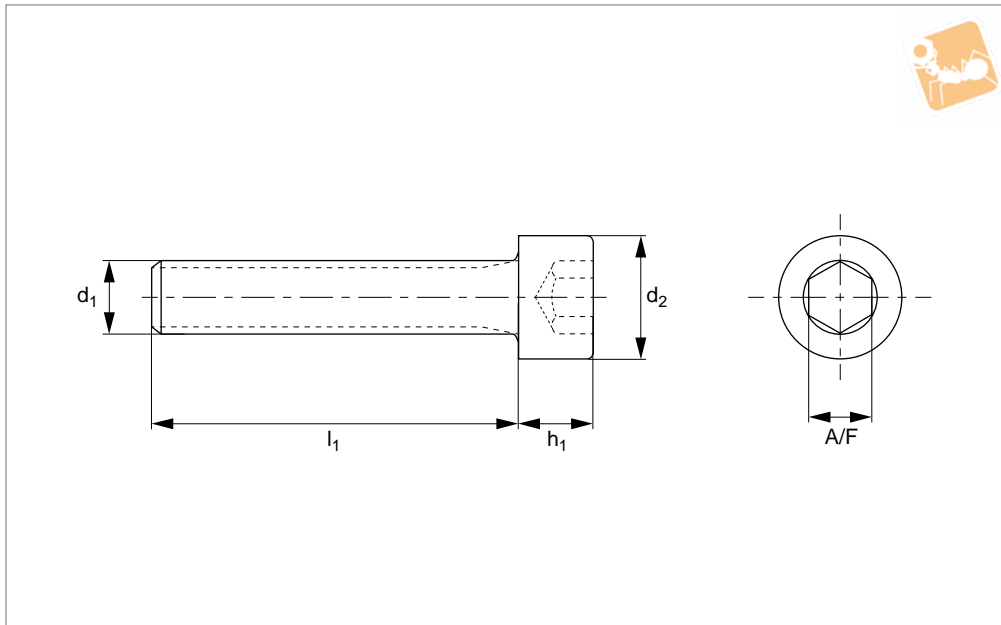




# Cap head hexagon socket

Hygienic

PEEK Fasteners



**P0500.HP**

PEEK FASTENERS

### Material

Polyether ether ketone (PEEK). Blue

A high performance plastic with very good durability and wear resistance. PEEK has excellent chemical resistance and performs well at temperatures up to 260°C. Tensile

strength ~116N/mm<sup>2</sup>

### Technical Notes

Manufactured for industries with a hygienic requirement, these products are made with an X-Ray opaque or metal detectable filler, in blue, for optical detection.

For medical industry applications, we can offer these products in a variant of PEEK which is refined for biocompatibility.

Natural PEEK is used in the aerospace and chemical industries.

Order No.	d <sub>1</sub>	l <sub>1</sub> +/-0.2	d <sub>2</sub>	h <sub>1</sub>	A/F
P0500.030-008-HP	M3	8	5.5	3	2.5
P0500.030-010-HP	M3	10	5.5	3	2.5
P0500.030-012-HP	M3	12	5.5	3	2.5
P0500.030-015-HP	M3	15	5.5	3	2.5
P0500.030-020-HP	M3	20	5.5	3	2.5
P0500.030-025-HP	M3	25	5.5	3	2.5
P0500.040-008-HP	M4	8	7.0	4	3.0
P0500.040-010-HP	M4	10	7.0	4	3.0
P0500.040-012-HP	M4	12	7.0	4	3.0
P0500.040-015-HP	M4	15	7.0	4	3.0
P0500.040-020-HP	M4	20	7.0	4	3.0
P0500.040-025-HP	M4	25	7.0	4	3.0
P0500.050-008-HP	M5	8	8.5	5	4.0
P0500.050-010-HP	M5	10	8.5	5	4.0
P0500.050-012-HP	M5	12	8.5	5	4.0
P0500.050-015-HP	M5	15	8.5	5	4.0
P0500.050-020-HP	M5	20	8.5	5	4.0
P0500.050-025-HP	M5	25	8.5	5	4.0
P0500.050-030-HP	M5	30	8.5	5	4.0
P0500.060-010-HP	M6	10	10.0	6	5.0
P0500.060-012-HP	M6	12	10.0	6	5.0
P0500.060-015-HP	M6	15	10.0	6	5.0
P0500.060-020-HP	M6	20	10.0	6	5.0
P0500.060-025-HP	M6	25	10.0	6	5.5
P0500.060-030-HP	M6	30	10.0	6	5.5
P0500.080-020-HP	M8	20	13.0	8	6.0
P0500.080-025-HP	M8	25	13.0	8	6.0
P0500.080-030-HP	M8	30	13.0	8	6.0
P0500.080-035-HP	M8	35	13.0	8	6.0