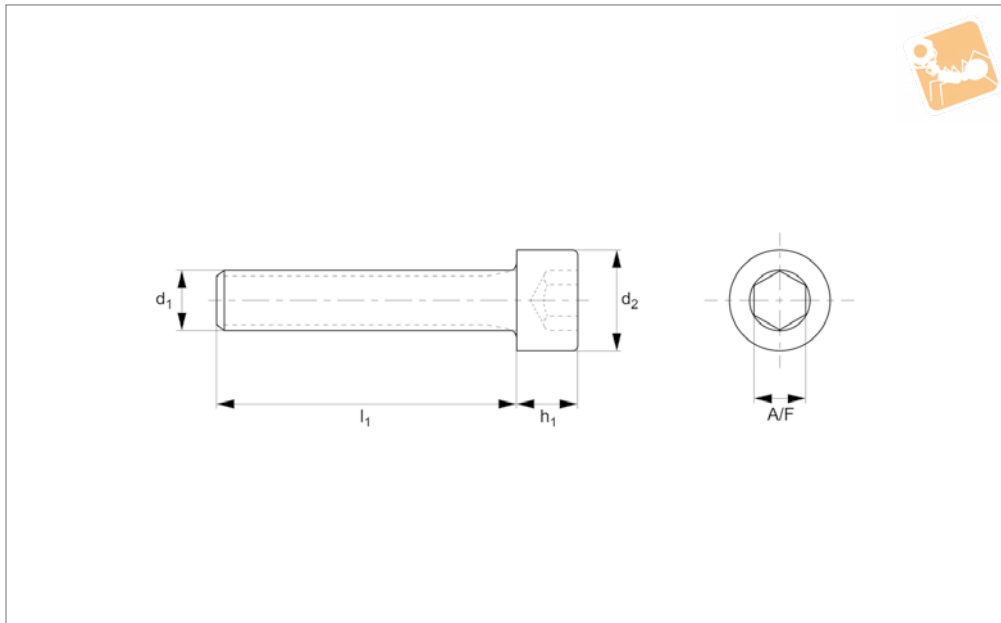




Cap Head Hexagon Socket Natural

PEEK Fasteners



P0500.NP

PEEK FASTENERS

Material

Natural Polyether-ether-ketone (PEEK).
Beige.

A high performance plastic with very good durability and wear resistance. PEEK has excellent chemical resistance and performs well at temperatures up to 260°C. Tensile

strength ~116N/mm²

Technical Notes

PEEK is used in the aerospace and petro-chemical industries.

For medical industry applications, we can offer these products in a variant of PEEK

which is refined for biocompatibility.

For industries with a hygienic requirement, these products can be manufactured with an X-Ray opaque or metal detectable filler, as well as a blue colour for optical detection.

Order No.	d ₁	l ₁ +/- 0, 2	d ₂	h ₁	A/F
P0500.030-008-NP	M3	8	5.5	3	2.5
P0500.030-010-NP	M3	10	5.5	3	2.5
P0500.030-012-NP	M3	12	5.5	3	2.5
P0500.030-015-NP	M3	15	5.5	3	2.5
P0500.030-020-NP	M3	20	5.5	3	2.5
P0500.030-025-NP	M3	25	5.5	3	2.5
P0500.040-008-NP	M4	8	7.0	4	3.0
P0500.040-010-NP	M4	10	7.0	4	3.0
P0500.040-012-NP	M4	12	7.0	4	3.0
P0500.040-015-NP	M4	15	7.0	4	3.0
P0500.040-020-NP	M4	20	7.0	4	3.0
P0500.040-025-NP	M4	25	7.0	4	3.0
P0500.050-008-NP	M5	8	8.5	5	4.0
P0500.050-010-NP	M5	10	8.5	5	4.0
P0500.050-012-NP	M5	12	8.5	5	4.0
P0500.050-015-NP	M5	15	8.5	5	4.0
P0500.050-020-NP	M5	20	8.5	5	4.0
P0500.050-025-NP	M5	25	8.5	5	4.0
P0500.050-030-NP	M5	30	8.5	5	4.0
P0500.060-010-NP	M6	10	10.0	6	5.0
P0500.060-012-NP	M6	12	10.0	6	5.0
P0500.060-015-NP	M6	15	10.0	6	5.0
P0500.060-020-NP	M6	20	10.0	6	5.0
P0500.060-025-NP	M6	25	10.0	6	5.0
P0500.060-030-NP	M6	30	10.0	6	5.0
P0500.080-020-NP	M8	20	13.0	8	6.0
P0500.080-030-NP	M8	30	13.0	8	6.0
P0500.080-035-NP	M8	35	13.0	8	6.0