



Set Screws

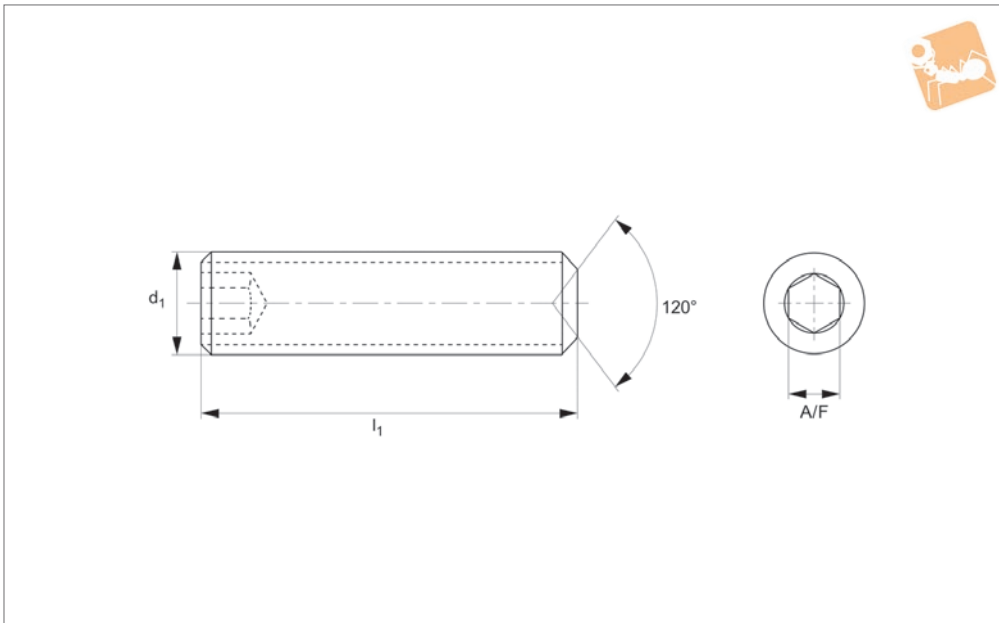
Natural PEEK

PEEK Fasteners



P0507.NP

PEEK FASTENERS



Material

Natural Polyether-ether-ketone (PEEK).
Beige.

A high performance plastic with very good durability and wear resistance. PEEK has excellent chemical resistance and performs well at temperatures up to 260°C.

Tensile strength ~116N/mm².

Technical Notes

Generally to DIN 916.

Order No.	d ₁	l ₁ +/- 0.2	A/F
P0507.030-004-NP	M 3	4	1.5
P0507.030-006-NP	M 3	6	1.5
P0507.030-008-NP	M 3	8	1.5
P0507.030-010-NP	M 3	10	1.5
P0507.030-012-NP	M 3	12	1.5
P0507.030-015-NP	M 3	15	1.5
P0507.040-006-NP	M 4	6	2.0
P0507.040-008-NP	M 4	8	2.0
P0507.040-010-NP	M 4	10	2.0
P0507.040-012-NP	M 4	12	2.0
P0507.040-015-NP	M 4	15	2.0
P0507.040-020-NP	M 4	20	2.0
P0507.050-006-NP	M 5	6	2.5
P0507.050-008-NP	M 5	8	2.5
P0507.050-010-NP	M 5	10	2.5
P0507.050-012-NP	M 5	12	2.5
P0507.050-015-NP	M 5	15	2.5
P0507.050-020-NP	M 5	20	2.5
P0507.060-006-NP	M 6	6	3.0
P0507.060-008-NP	M 6	8	3.0
P0507.060-010-NP	M 6	10	3.0
P0507.060-012-NP	M 6	12	3.0
P0507.060-015-NP	M 6	15	3.0
P0507.060-020-NP	M 6	20	3.0
P0507.060-025-NP	M 6	25	3.0
P0507.080-010-NP	M 8	10	4.0
P0507.080-012-NP	M 8	12	4.0
P0507.080-015-NP	M 8	15	4.0
P0507.080-020-NP	M 8	20	4.0
P0507.080-025-NP	M 8	25	4.0
P0507.080-030-NP	M 8	30	4.0