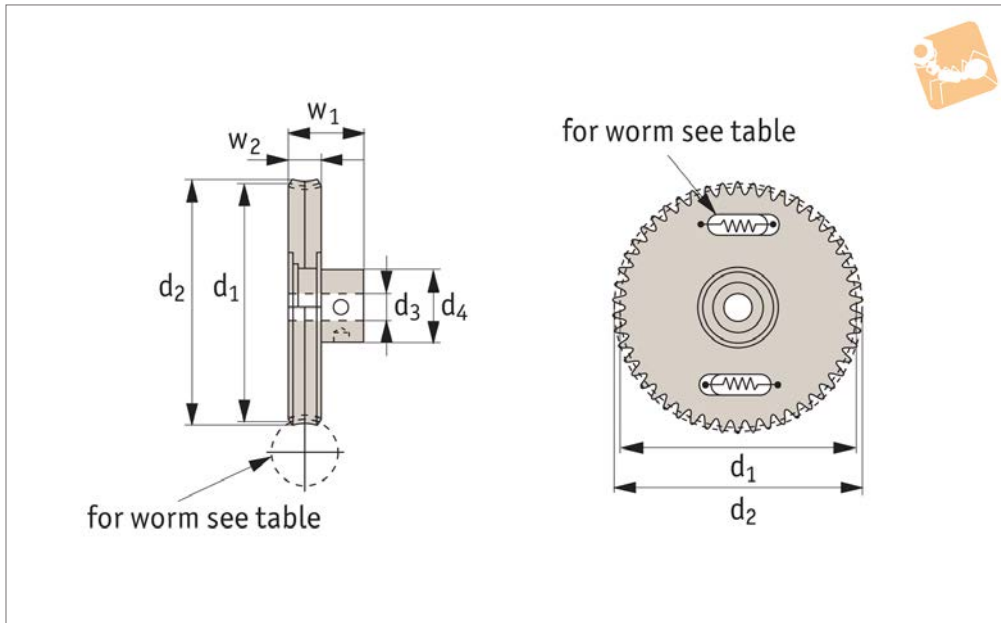




0,5 Module Anti-backlash Worm Gears

brass



R2147

OTHER PRECISION GEARS

Material

Brass.

threads - see part no. R2144.

Also available with clamp style hub.

Technical Notes

Quality class DIN 7/AGMA 10.

Right hand.

Select worm with corresponding number of

Tips

Ratio=(No. of teeth/No. of worm threads).

For larger sizes, please see following page.

Order No.	Starts	No. of teeth	Bore dia.	Pitch dia. P.D.	Circular pitch	Helix angle	Pressure angle
R2147.040S-05	Single	40	5	20.00	1.571	3° 10'	14A°
R2147.050S-05	Single	50	5	25.00	1.571	3° 10'	14A°
R2147.060S-05	Single	60	5	30.00	1.571	3° 10'	14A°
R2147.070S-05	Single	70	5	35.00	1.571	3° 10'	14A°
R2147.080S-05	Single	80	5	40.00	1.571	3° 10'	14A°
R2147.090S-05	Single	90	5	45.00	1.571	3° 10'	14A°
R2147.100S-05	Single	100	5	50.00	1.571	3° 10'	14A°
R2147.120S-05	Single	120	5	60.00	1.571	3° 10'	14A°
R2147.180S-05	Single	180	5	90.00	1.571	3° 10'	14A°
R2147.040D-05	Double	40	5	20.00	3.142	6° 20'	20°
R2147.050D-05	Double	50	5	25.00	3.142	6° 20'	20°
R2147.060D-05	Double	60	5	30.00	3.142	6° 20'	20°
R2147.120D-05	Double	120	5	60.00	3.142	6° 20'	20°
R2147.070D-05	Double	70	5	35.00	3.142	6° 20'	20°
R2147.080D-05	Double	80	5	40.00	3.142	6° 20'	20°
R2147.090D-05	Double	90	5	45.00	3.142	6° 20'	20°
R2147.100D-05	Double	100	5	50.00	3.142	6° 20'	20°
R2147.180D-05	Double	180	5	90.00	3.142	6° 20'	20°
R2147.040F-05	Four	40	5	20.00	6.283	12° 31'	25°
R2147.050F-05	Four	50	5	25.00	6.283	12° 31'	25°
R2147.060F-05	Four	60	5	30.00	6.283	12° 31'	25°
R2147.070F-05	Four	70	5	35.00	6.283	12° 31'	25°
R2147.080F-05	Four	80	5	40.00	6.283	12° 31'	25°
R2147.090F-05	Four	90	5	45.00	6.283	12° 31'	25°
R2147.100F-05	Four	100	5	50.00	6.283	12° 31'	25°
R2147.120F-05	Four	120	5	60.00	6.283	12° 31'	25°
R2147.180F-05	Four	180	5	90.00	6.283	12° 31'	25°
R2147.040S-08	Single	40	8	20.00	1.571	3° 10'	14A°
R2147.050S-08	Single	50	8	25.00	1.571	3° 10'	14A°
R2147.060S-08	Single	60	8	30.00	1.571	3° 10'	14A°
R2147.070S-08	Single	70	8	35.00	1.571	3° 10'	14A°
R2147.080S-08	Single	80	8	40.00	1.571	3° 10'	14A°



Order No.	Starts	No. of teeth	Bore dia.	Pitch dia. P.D.	Circular pitch	Helix angle	Pressure angle
R2147.090S-08	Single	90	8	45.00	1.571	3° 10'	14A°
R2147.100S-08	Single	100	8	50.00	1.571	3° 10'	14A°
R2147.120S-08	Single	120	8	60.00	1.571	3° 10'	14A°
R2147.180S-08	Single	180	8	90.00	1.571	3° 10'	14A°